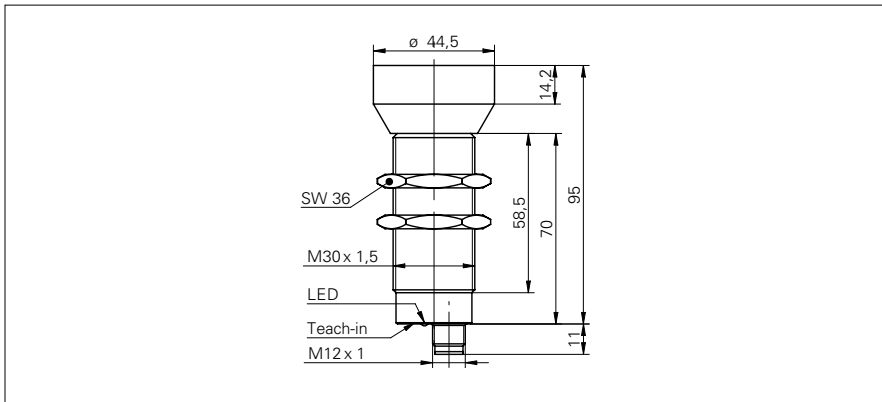


Ultrasonic distance measuring sensors

UNAM 50I6121/S14

dimension drawing



general data

scanning range Sd	400 ... 2500 mm
scanning range close limit Sdc	400 ... 2500 mm
scanning range far limit Sde	400 ... 2500 mm
repeat accuracy	< 1 mm
resolution	< 0,3 mm
response time ton	< 160 ms
release time toff	< 160 ms
temperature drift	< 2 % Sde
sonic frequency	120 kHz
adjustment	Teach-in
alignment aid	target indication flashing
light indicator	yellow LED / red LED

electrical data

voltage supply range +Vs	15 ... 30 VDC
current consumption max. (no load)	55 mA
output circuit	current output
output signal	4 ... 20 mA / 20 ... 4 mA
output current	< 20 mA
load resistance +Vs max.	< 1100 Ohm
load resistance +Vs min.	< 400 Ohm
residual ripple	< 10 % Vs
short circuit protection	yes
reverse polarity protection	yes

mechanical data

type	cylindrical threaded
housing material	brass nickel plated
width / diameter	30 mm
height / length	95 mm
connection types	connector M12

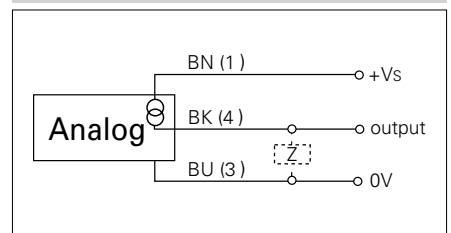
ambient conditions

operating temperature	-10 ... +60 °C
protection class	IP 67

photo



connection diagram



- Analog current output 4-20 mA
- long sensing distance

Ultrasonic distance measuring sensors

UNAM 50I6121/S14

typical sonic cone profile

