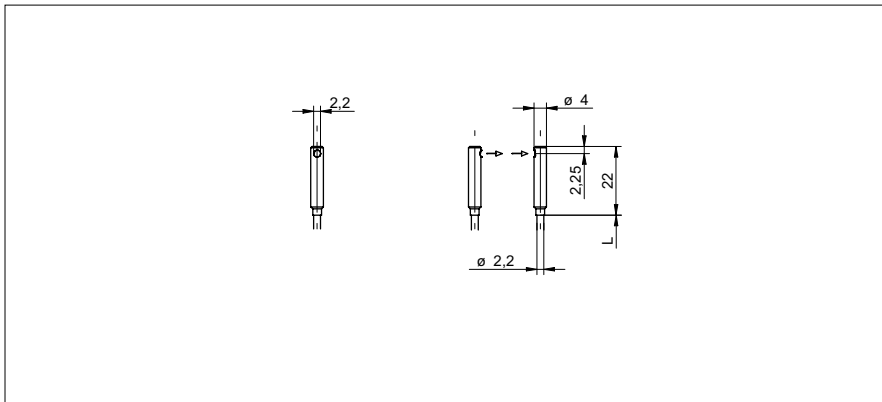


Through beam fiber optics

FSE 200C4001

dimension drawing



general data

particular characteristics	side view smooth sensing head without thread
type	through beam sensor
actual range Sb	750 mm
response time / release time	0,05 ... 5 ms
type of head (fiber optic cable)	cylindrical smooth (radial)
width / diameter (head)	4 mm
height / length (head)	22 mm
material (head)	aluminum
bending radius	15 mm
cable jacket diameter	2,2 mm
material cable jacket	PE
material (fiber optic cable)	plastic
length (fiber optic cable)	2000 mm
operating temperature	-30 ... +70 °C

Sensing distance/response time:
For the definitive sensing distance/response time please see table below "fitting fiber optic sensors".

photo



• Side view

fitting fiber optic sensors	actual range Sb (0,05 ms)	actual range Sb (0,25 ms)	actual range Sb (1 ms)	actual range Sb (5 ms)
FVDK 67 (standard version)	80 mm (HS)	-	600 mm (nL)	750 mm (HP)
FVDK 67 (2 adjustable outputs)	80 mm (HS)	-	600 mm (nL)	750 mm (HP)
FVDK 67 (master/slave)	80 mm (HS)	-	600 mm (nL)	750 mm (HP)
FVDK 66 (standard version)	-	150 mm (FT)	260 mm (nL)	-
FVDK 66 (master/slave)	-	150 mm (FT)	260 mm (nL)	-
FVDK 22	-	-	200 mm (nL)	-
FVDK 12	-	-	200 mm (nL)	-
FVDK 12 (fast version)	188 mm (HS)	-	-	-
FVDK 10	-	-	100 mm (nL)	-
FWDK 84 (analog output)	-	-	55 mm (nL)	-

operating modes
HS High Speed
FT fast
nL Standard
HP High Sensitivity