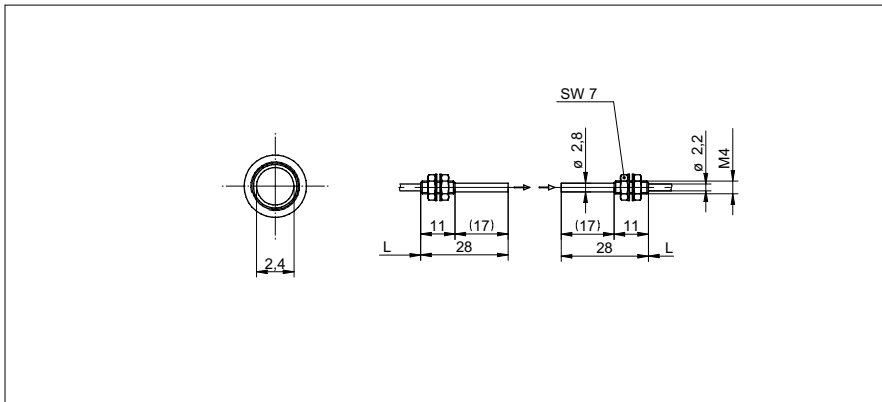


Through beam fiber optics

FPE 200C1Y00

dimension drawing



general data

particular characteristics	parallel beam
type	through beam sensor
actual range Sb	4140 mm
response time / release time	0,05 ... 5 ms
type of head (fiber optic cable)	cylindrical threaded (axial)
width / diameter (head)	4 mm
height / length (head)	28 mm
material (head)	stainless steel
bending radius	20 mm
cable jacket diameter	2,2 mm
material cable jacket	PE
material (fiber optic cable)	plastic
length (fiber optic cable)	2000 mm
operating temperature	-30 ... +70 °C
exit angle	± 2°

photo



Sensing distance/response time:

For the definitive sensing distance/response time please see table below "fitting fiber optic sensors".

- The small beam angle makes a precise, virtually parallel light beam.

fitting fiber optic sensors	actual range Sb (0,05 ms)	actual range Sb (0,25 ms)	actual range Sb (1 ms)	actual range Sb (5 ms)
FVDK 67 (standard version)	690 mm (HS)	-	2760 mm (nL)	4140 mm (HP)
FVDK 67 (2 adjustable outputs)	690 mm (HS)	-	2760 mm (nL)	4140 mm (HP)
FVDK 67 (master/slave)	690 mm (HS)	-	2760 mm (nL)	4140 mm (HP)
FVDK 66 (standard version)	-	840 mm (FT)	1400 mm (nL)	-
FVDK 66 (master/slave)	-	840 mm (FT)	1400 mm (nL)	-
FVDK 22	-	-	1400 mm (nL)	-
FVDK 12	-	-	1400 mm (nL)	-
FVDK 12 (fast version)	1320 mm (HS)	-	-	-
FVDK 10	-	-	600 mm (nL)	-
FWDK 84 (analog output)	-	-	390 mm (nL)	-

operating modes
 HS High Speed
 FT fast
 nL Standard
 HP High Sensitivity