

# Accessories

## Mounting accessories

### Spring washer for one-side attachment, length 115 mm



#### Features

- Several graduated circle options for mounting on the intended surface
- For low-dynamic applications

#### Description

Spring coupling mount is for low-dynamic applications. Mount Spring coupling at flange by help of the attached screws. Push encoder onto drive shaft and fix the torque support at the contact surface.

#### Part number

11034123 Spring coupling for one-side attachment, length 115 mm (Z 119.076)

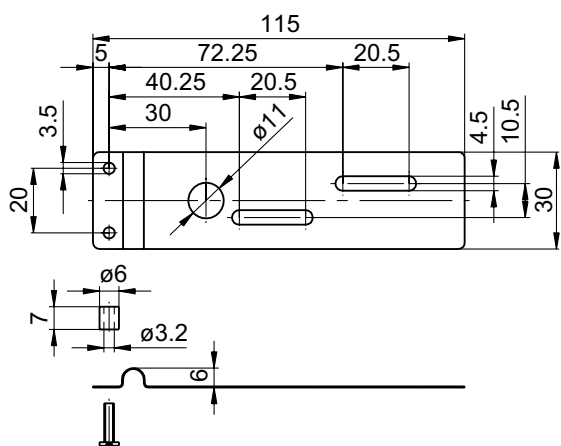
#### Scope of delivery

Included: spring coupling, two screws M3 x 12 with two spacer sleeves

#### Suitable for

EAL580-B, EAL580-T, G0A2H, G0AMH, G0M2H, G0MMH, G0P5H, GBA2H, GBA2S, GBAMH, GBAMS, GBM2H, GBM2S, GBMMH, GBMMS, GBP5H, GBP5S, GEMMH, GXA2S, GXAMS, GXM2S, GXM7S, GXMMS, GXP5S

#### Dimensions



#### Assembly drawing

