

Overview

- measuring mode: edges, center, width
- 400 ... 875 mm
- 640 ... 1400 mm
- pulsed infrared diode
- Teach-in
- connector M12 8 pin, rotatable
- 55 °C
- IP 67



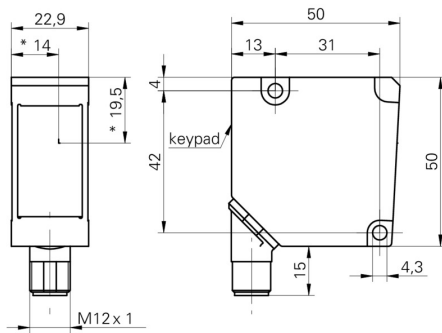
Picture similar



Technical data

General data		Electrical data	
Type	Measuring mode: edges, center, width	Output signal	4 ... 20 mA
Version	Without filter, therefore not for transparent objects	Switching output	PNP
Measuring field size (dep. on measuring dist.)	400 ... 875 mm	Output function	Out 1 / Out 2
Measuring distance (to object)	640 ... 1400 mm	Output current	< 100 mA
Measuring frequency	500 Hz	Interface	Analog and RS485
Resolution	0.5 ... 1 mm	Baud rate	19200, adjustable
Smallest object recognizable	8.5 ... 18 mm	Reverse polarity protection	Yes, Vs to GND
Linearity error relative	< 0.3 %	Short circuit protection	Yes
Light source	Pulsed infrared diode	Mechanical data	
Wave length	880 nm	Width / diameter	23 mm
Adjustment	Teach-in	Type	Rectangular
Electrical data		Housing material	Die-cast zinc
Response time	< 2 ms	Front (optics)	Glass
Voltage supply range +Vs	15 ... 28 VDC	Connection types	Connector M12 8 pin, rotatable
Current consumption max. (no load)	150 mA	Ambient conditions	
		Operating temperature	0 ... +55 °C
		Protection class	IP 67

Dimension drawing



- * receiver axis

Connection diagram

