



Operating Manual

IDC200

Codereader / Identification

EN-US

Table of contents

- 1 About this document 5**
 - 1.1 Purpose..... 5
 - 1.2 Warnings in this manual..... 5
 - 1.3 Labels in this manual 5
 - 1.4 Liability limitation 6
 - 1.5 Scope of delivery..... 6
- 2 Safety..... 7**
 - 2.1 Personnel requirements 7
 - 2.2 General information..... 7
- 3 Description..... 9**
 - 3.1 Sensor..... 9
 - 3.1.1 Structure 9
 - 3.1.2 Functionality..... 10
 - 3.1.3 Optical specification..... 13
 - 3.1.3.1 Field of view..... 13
 - 3.1.3.2 Field of view / module width - operating distance..... 14
 - 3.1.3.3 Depth of field 16
 - 3.2 Operating and display elements..... 18
 - 3.2.1 Web interface..... 18
 - 3.2.2 Sensor LEDs..... 19
 - 3.2.3 Display 19
 - 3.3 Interfaces and protocols..... 20
 - 3.3.1 PROFINET 21
 - 3.3.1.1 Handshake 27
 - 3.3.1.1.1 Simple handshake..... 27
 - 3.3.1.1.2 Handshake with acknowledgement..... 30
 - 3.3.2 TCP..... 33
 - 3.3.2.1 Command "CS - Clear Statistics" 33
 - 3.3.2.2 Command "GJ - Get Job" 34
 - 3.3.2.3 Command "GS - Get State"..... 34
 - 3.3.2.4 Command "Help" 35
 - 3.3.2.5 Command "RS - Reading Signal" 35
 - 3.3.2.6 Command "SJ - Switch Job"..... 36
 - 3.3.2.7 Command "SM - Switch Mode" 36
 - 3.3.2.8 Command "SP - Set Parameters" 37
 - 3.3.2.9 Command "TR - Trigger" 37
 - 3.3.2.10 Command "UJ - Upload Job"..... 38
 - 3.3.3 USB-HID 38
- 4 Transport and storage 39**
 - 4.1 Transport..... 39
 - 4.2 Delivery inspection 39
 - 4.3 Storage..... 39
- 5 Installation 40**

5.1	General safety instructions.....	40
5.2	General information for mounting.....	40
5.3	Notes on heat dissipation.....	41
5.4	Mounting the sensor.....	42
5.5	Accessories (not included).....	43
6	Electrical installation	44
6.1	General instructions for electric installation.....	44
6.2	Connecting the sensor to the electrical system.....	44
6.3	Pin assignment.....	45
6.4	Wiring.....	45
7	Commissioning	46
7.1	Connecting the sensor to the PC	46
7.1.1	Allocating an IP address to the PC	46
7.1.2	Determining the sensor's IP address	48
8	Web interface.....	49
8.1	Functions and tasks	49
8.2	User interface description	49
8.2.1	Header	50
8.2.2	Menu bar.....	51
8.2.3	Parametrisation area.....	51
8.2.4	Footer.....	52
8.2.5	Visualisation area.....	52
8.2.6	Measured values.....	53
8.3	Monitoring mode	54
8.4	Parameterization mode	55
8.4.1	Mode Parameterization Tools	55
8.4.1.1	Measuring tool: Image.....	57
8.4.1.2	Measuring tool: Barcode	59
8.4.1.3	Measuring tool: Matrix code	62
8.4.1.4	Auxiliary tool: Code Check	64
8.4.1.5	Auxiliary tool: Quality Check.....	66
8.4.1.6	Auxiliary tool: Length check.....	67
8.4.1.7	Annex: Quality features for barcode and matrix code	68
8.4.2	Mode Parameterization Communication.....	70
8.4.2.1	Communication: Data telegram	70
8.4.2.2	Communication: Digital output	73
8.4.3	Job mode	74
8.5	Device configuration mode.....	75
8.6	Diagnostic data mode	78
8.7	Statistical functions	79
9	Maintenance.....	81
9.1	Cleaning the sensor	81
10	Troubleshooting	82

10.1 Return and repair	82
10.2 Support.....	82
11 Technical data	83
11.1 Dimensional drawing.....	83

1 About this document

1.1 Purpose

This operating manual (subsequently referred to as manual) allows the safe and efficient handling of the product .

The manual does not provide instructions on operating the machine in which the product is integrated. Information on this is found in the operating manual of the machine.

The manual is a constituent part of the product. It must be kept in the immediate vicinity of the product and must be accessible to personnel at all times.



Personnel must have carefully read and understood this manual before beginning any work. The basic prerequisite for safe working is compliance with all safety instructions and handling instructions given in this manual.

In addition, the local occupational health and safety regulations and general safety regulations apply.

The illustrations in this manual are examples only. Deviations are at the discretion of Baumer at all times.

1.2 Warnings in this manual

Warnings draw attention to potential personal injury or material damage. The warnings in this manual indicate different hazard levels:

Symbol	Warning term	Explanation
	DANGER	Indicates an imminent potential danger with high risk of death or serious personal injury if not being avoided.
	WARNING	Indicates potential danger with medium risk of death or (serious) personal injury if not being avoided.
	CAUTION	Indicates a danger with low risk, which could lead to light or medium injury if not avoided.
	NOTE	Indicates a warning of material damage.
	INFO	Indicates practical information and tips that enable optimal use of the devices.

1.3 Labels in this manual

Identifier	Usage	Example
<i>Dialog element</i>	Indicates dialog elements.	Click the OK button.
<i>Unique name</i>	Indicates the names of products, files, etc.	<i>Internet Explorer</i> is not supported in any version.
Code	Indicates entries.	Enter the following IP address: 192.168.0.250

1.4 Liability limitation

All information and notes in this manual have been compiled in accordance with the applicable standards and regulations, the state of the art, and our many years of knowledge and experience.

The manufacturer accepts no liability for damage due to the following reasons:

- Non-observance of the manual
- Improper use
- Use of unqualified personnel
- Unauthorized conversions

The obligations agreed in the delivery contract, the general terms and conditions and the delivery conditions of the manufacturer and its suppliers, as well as the legal regulations valid at the time of conclusion of the contract apply.

1.5 Scope of delivery

The scope of delivery includes:

- 1 x Sensor
- 1 x Quickstart Guide
- 1 x General information leaflet

In addition, the following information is available in digital form at www.baumer.com:

- Operating manual
- Quickstart Guide
- Data sheet
- 3D CAD drawing
- Dimensional drawing
- Connection diagram & pin assignment
- GSD file (**G**eneral **S**tation **D**escription) for device integration into PLC configuration software
- Certificates (EU declaration of conformity, interface certificates, etc.)

2 Safety

2.1 Personnel requirements

Certain work with the product may only be carried out by specialized personnel.

Specialized personnel are staff members who can evaluate the tasks assigned to them and recognize potential danger, based on their training and work as well as a reliable understanding of technical safety issues.

Qualified personnel are divided into the following categories:

- **Instructed personnel:**

A person who has been informed and, if required, trained, by a specialist about the assigned tasks and potential dangers of improper behavior.

- **Specialist:**

A person who, based on his/her training, experience, and instruction, as well as his/her knowledge of applicable standards, rules, and accident prevention regulations, has been authorized to carry out the respectively required tasks, while recognizing and avoiding potential dangers.

- **Electrical specialist:**

A person with the appropriate specialist training, knowledge, and experience allowing him/her to recognize and avoid dangers originating from electricity.

2.2 General information

Intended use

This product is a precision device and serves the detection of items, objects, or physical measurement variables and the preparation or provision of measured values as electric variables for the higher-level system.

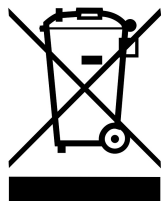
Unless specifically labeled, this product may not be used in explosive environments.

Commissioning

Assembly, installation, and calibration of this product may only be performed by a specialist.

Installation

Only use the fasteners and fastener accessories intended for this product for installation. Outputs not in use must not be wired. Unused wires of cable outputs must be insulated. Do not go below the permissible cable bending radii. Disconnect the system from power before the product is electrically connected. Use shielded cables to prevent electro-magnetic interference. If the customer assembles plug connections on shielded cables, then EMC-version plug connections should be used and the cable shield must be connected to the plug housing across a large surface area.

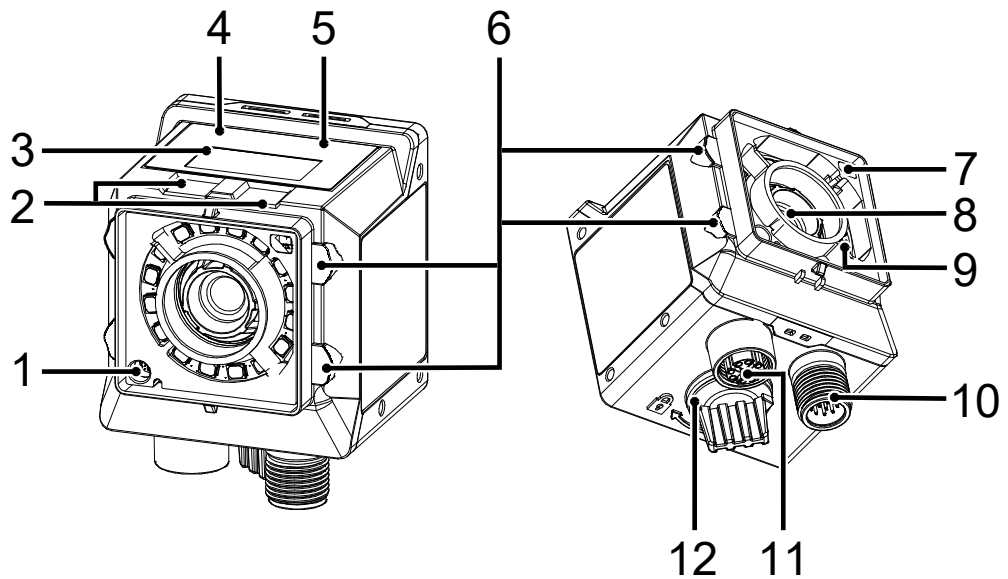
Disposal (environmental protection)

Used electrical and electronic devices may not be disposed of in household waste. The product contains valuable raw materials that can be recycled. Therefore dispose of this product at the appropriate collection point. For additional information visit www.baumer.com.

3 Description

3.1 Sensor

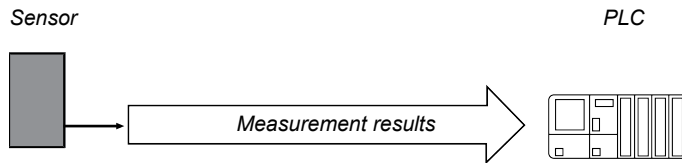
3.1.1 Structure



III. 1: Sensor design

1	Pointer (positioning aid)	2	qTeach Buttons
3	Display	4	LED Link
5	LED Power	6	Illuminated ring (4 x RGB LED indicators)
7	Sensor (filter recognition)	8	Camera (with electromechanical focus)
9	Internal illumination (each segment to be switched on individually)	10	Electrical connection; 12-pin M12, A-encoding
11	Ethernet connection (1 GigE); X-encoding	12	USB-C connection with blind plug

3.1.2

Functionality*///* 2: Functionality

- The sensor features integrated image processing and delivers concrete results (e.g. the code which was read).
- Position tracking of evaluation windows.

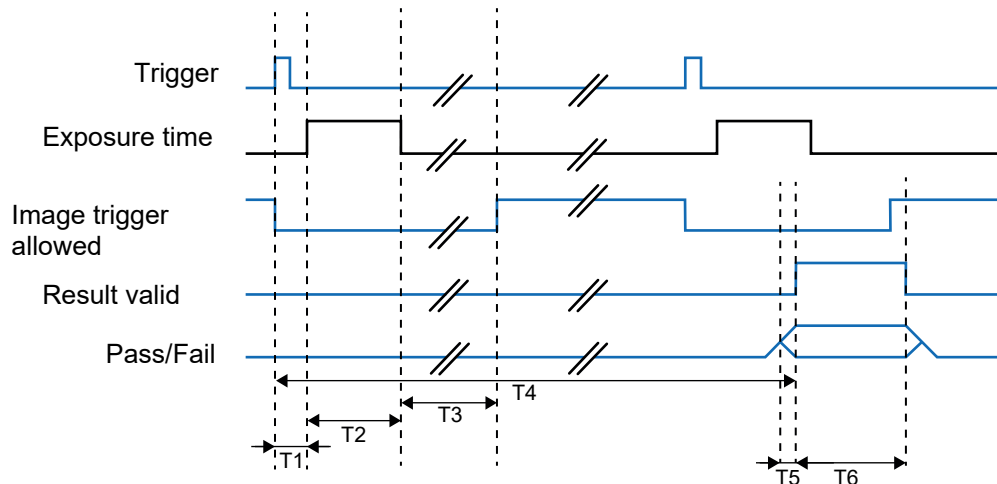
The full sensor measurement cycle comprises the following steps:

1. Exposure and read out
2. Calculation
3. Measured value output

**INFO**

Process steps are executed in parallel for increased measurement speed. The measurement rate is limited by the process which takes more time: exposure time or processing time.

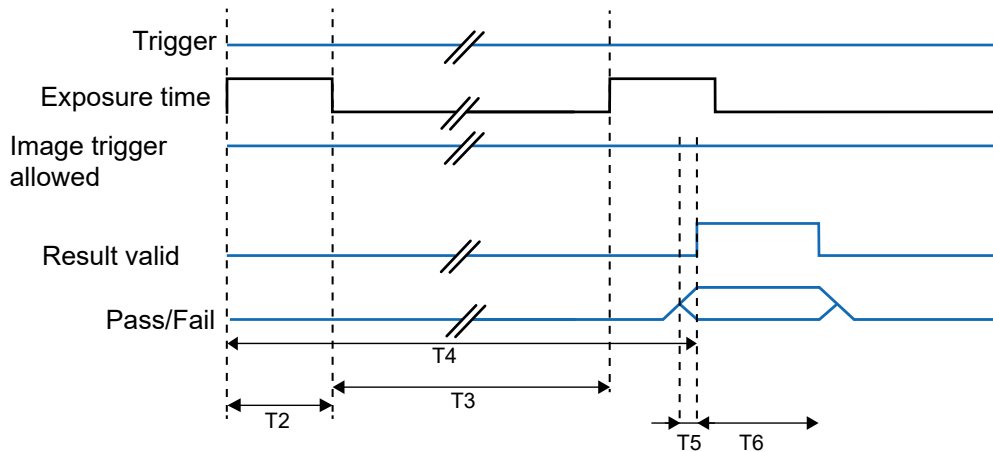
Timing for single measurement (using a trigger)



Signal	min.	max.
Delay trigger exposure time (T1)	2.2 ms	2.9 ms
	plus the set trigger delay	
Exposure time (T2)	11 μs	2 ms
Image acquisition (T3)	16 ms	18 ms
Output time; min / max (T4)	20 ms	
run-up result (T5)	10 μs	2 ms
Retention time result (T6)	1 ms	1 s or next result

After image acquisition, signal *Image trigger allowed* will be disabled. At the end of image acquisition, signal *image trigger allowed* is enabled again and another image can be immediately acquired. Signal *pass-fail* will switch at the set output time, even if further evaluations have already been done. Signal *Result valid* is active during this time.

Timing for continuous image acquisition



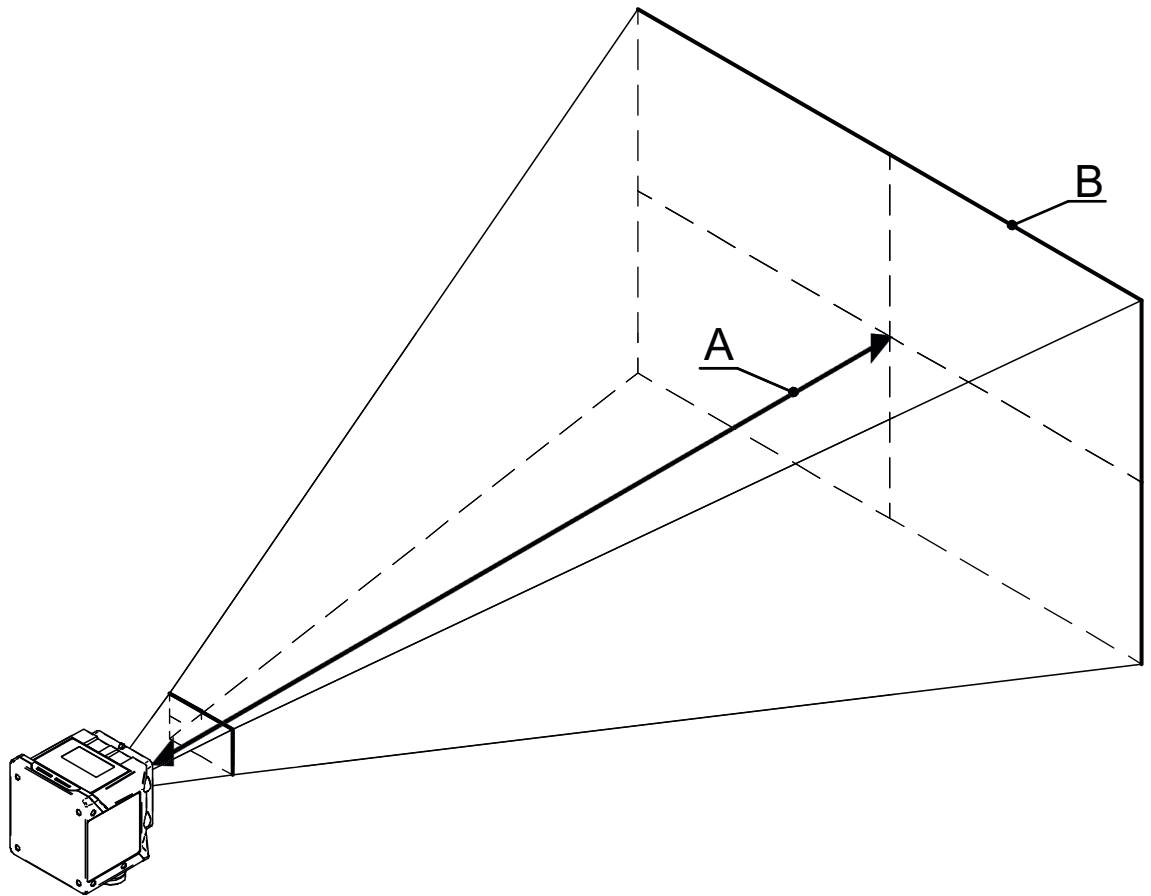
Signal	min.	max.
Exposure time (T2)	11 μ s	2 ms
Image acquisition (T3)	18 ms	20 ms
Output time; min / max (T4)	20 ms	
run-up result (T5)	10 μ s	2 ms
Retention time result (T6)	1 ms	1 s or next result

If *continuous image acquisition* is set in the job, the image will be captured as soon as the acquisition of the previous image has been completed. Signal *Image trigger allowed* is permanently enabled. Signal *pass-fail* will switch at the end of image evaluation, but earliest at the set output time. This point in time can be seen by the rising edge of signal *Result valid*.

3.1.3 Optical specification

3.1.3.1 Field of view

Minimum and maximum fields of view of devices of different focal length are shown below.



Minimum

	IDC200-W06A	IDC200-W08A	IDC200-W16A
A	50 mm	50 mm	100 mm
B	41 mm x 25 mm	29 mm x 18 mm	23 mm x 14 mm

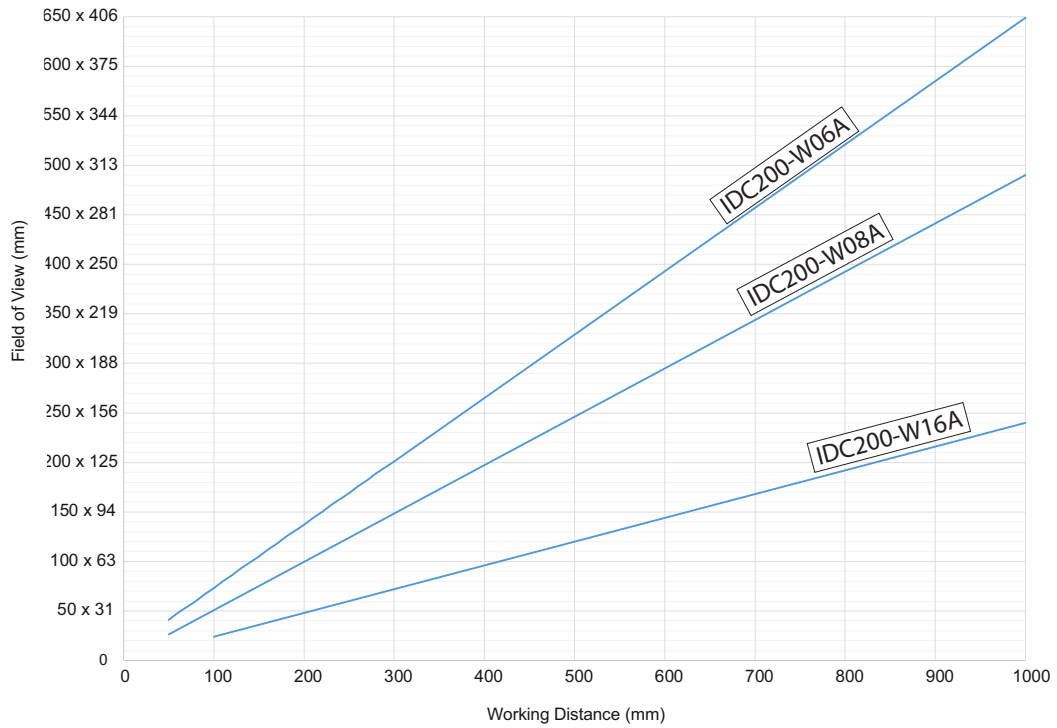
Maximum

	IDC200-W06A	IDC200-W08A	IDC200-W16A
A	1000 mm	1000 mm	1000 mm
B	649 x 408 mm	485 mm x 303 mm	240 mm x 150 mm

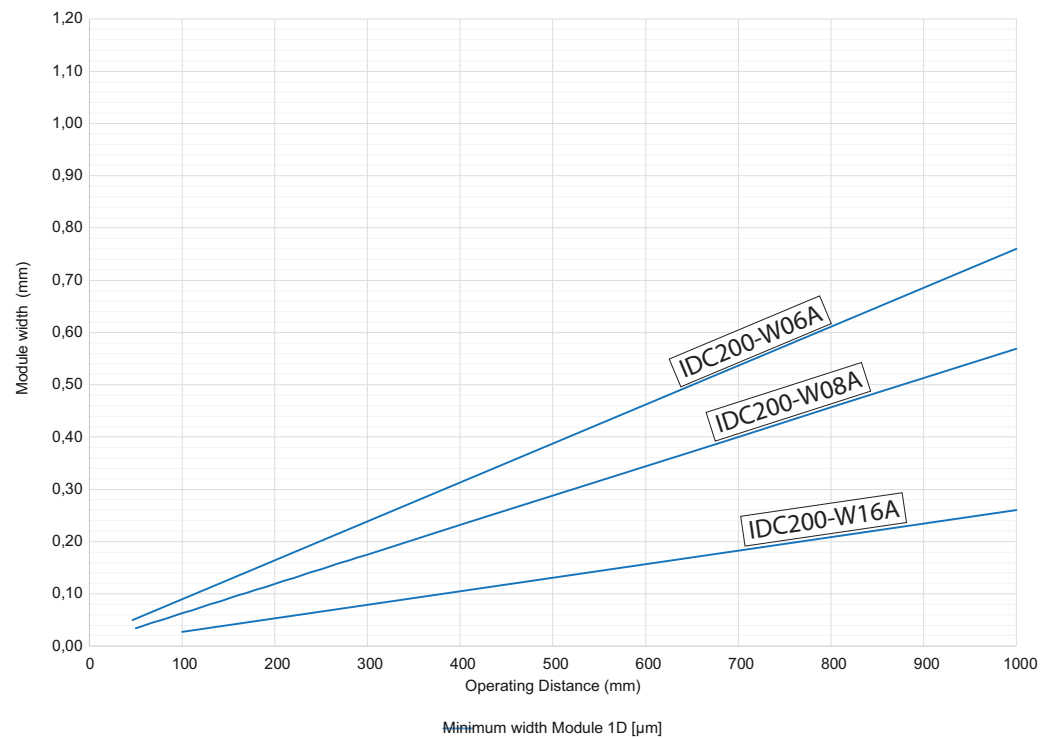
3.1.3.2 Field of view / module width - operating distance

For more information on the field of view or module width in relation to working distance see the following diagrams.

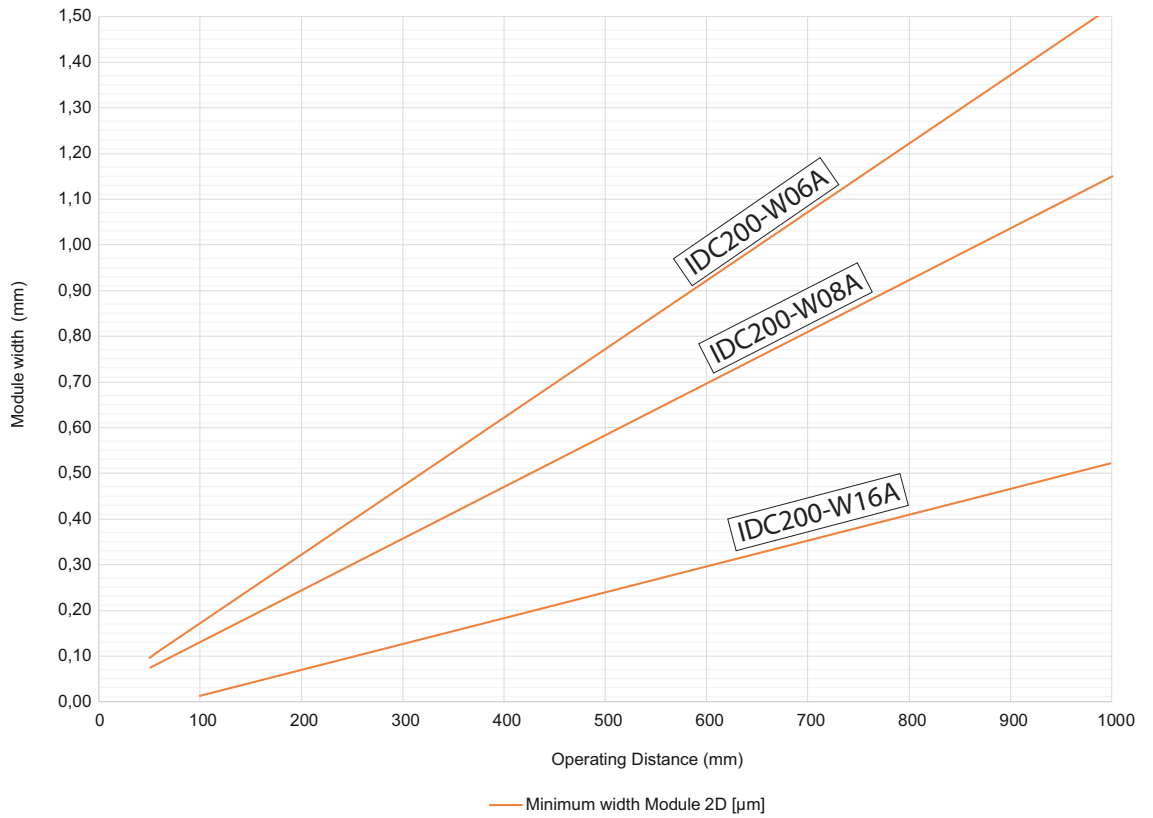
Field of view - operating distance



Module width-operating distance (1D code)



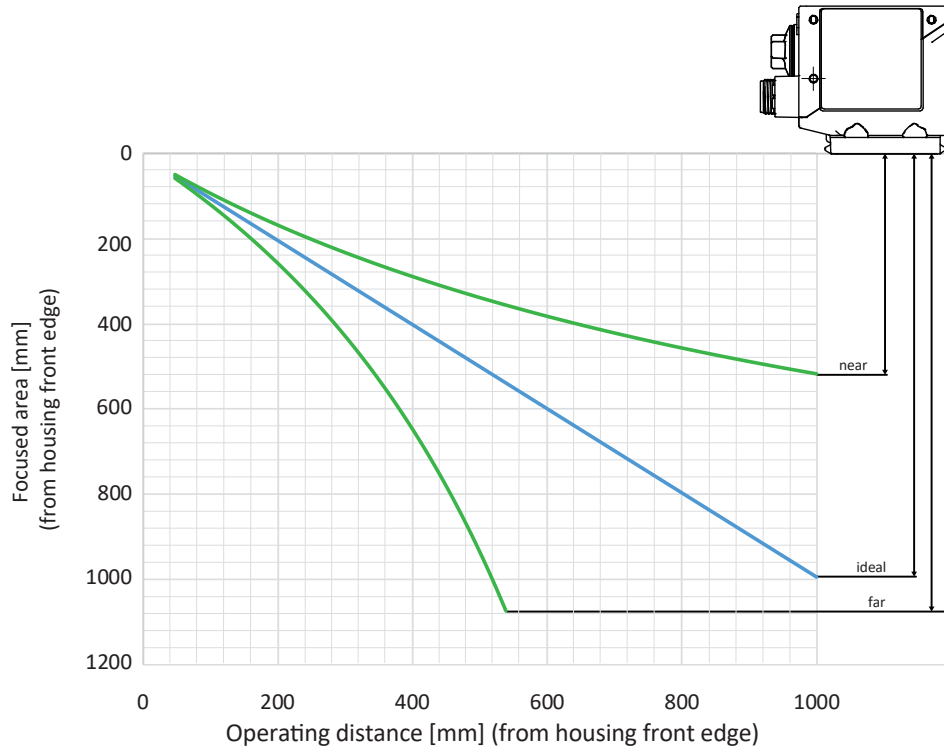
Module width-operating distance (2D code)



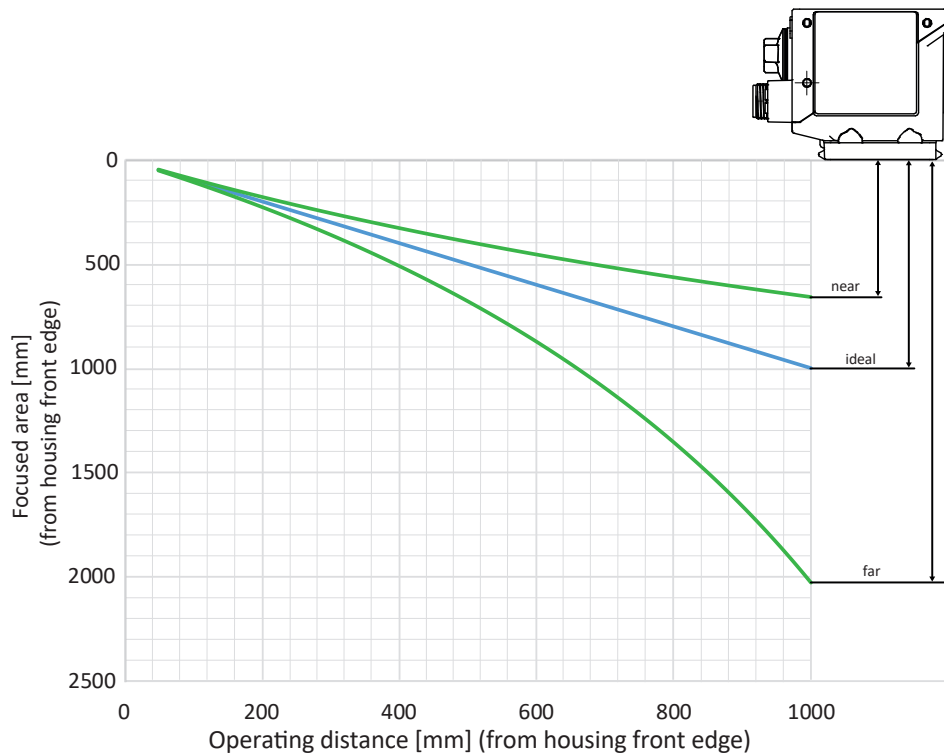
3.1.3.3 Depth of field

For depth of field (*near / ideal / far*) of every device please see the following diagrams.

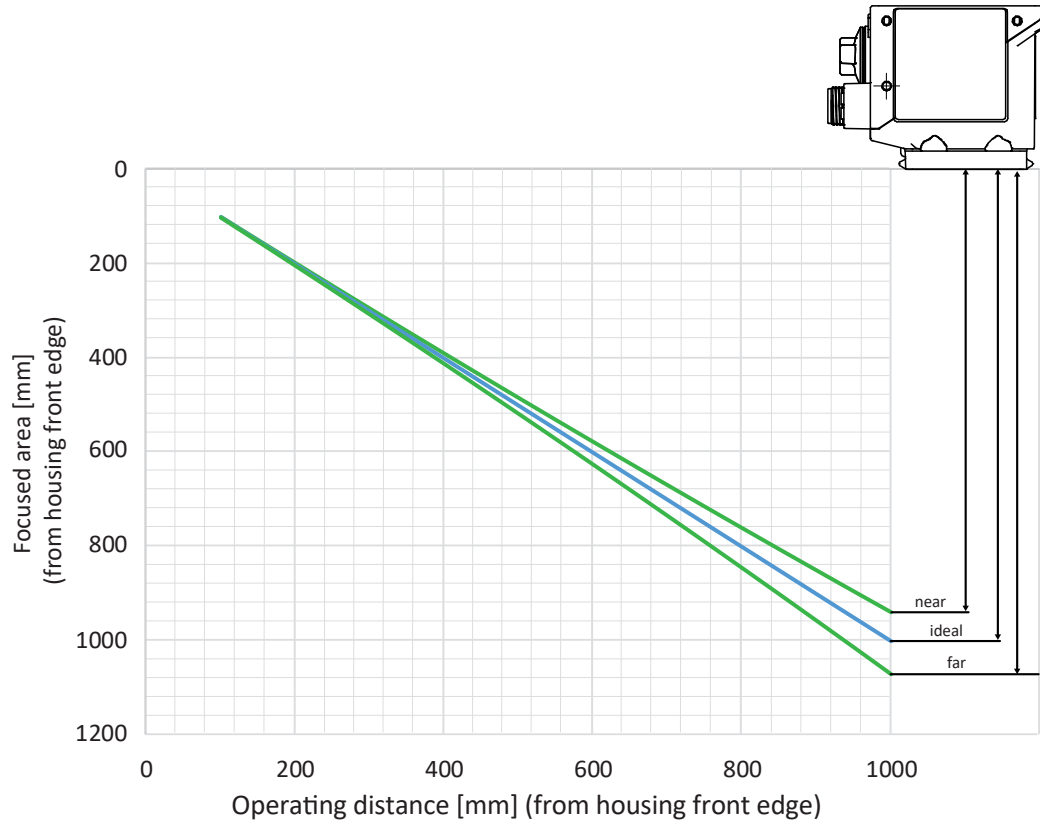
IDC200-W06A (Focal length: 6 mm / Aperture: 3.5)



IDC200-W08A (Focal length: 8 mm / Aperture: 3.5)



IDC200-W16A (Focal length: 16 mm / Aperture: 1.8)

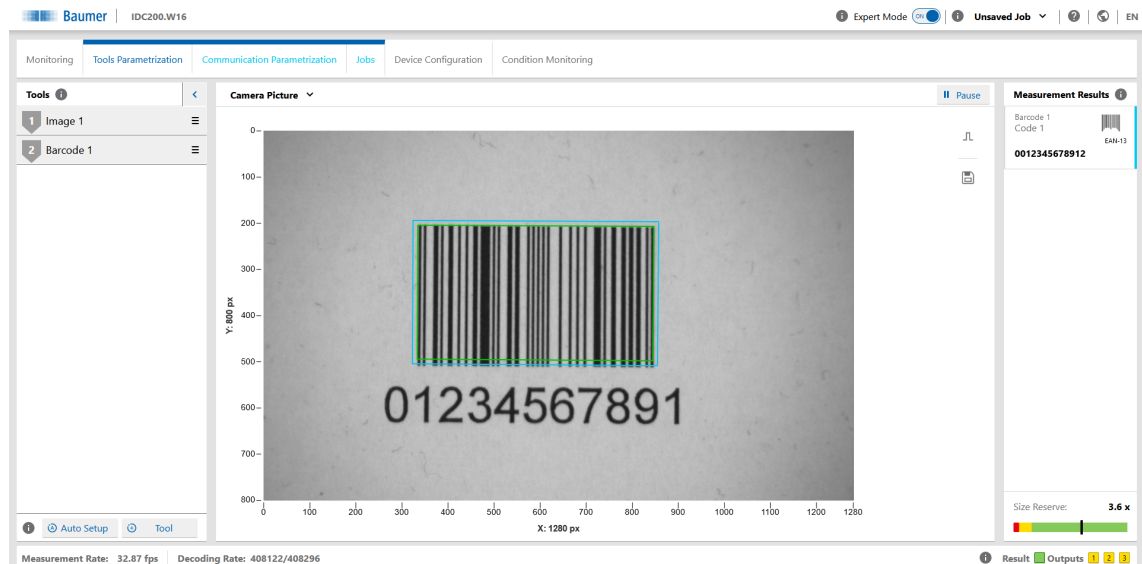


3.2 Operating and display elements

3.2.1 Web interface

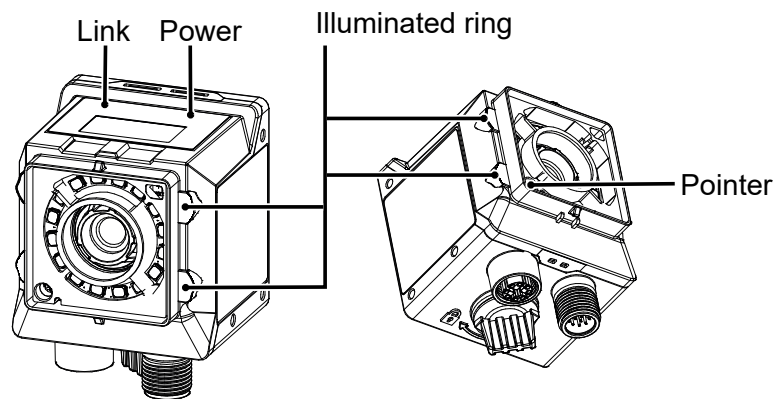
The supplied sensor features web interface for sensor parameterization and data visualization. To this end, the sensor integrates web server. The web interface can be accessed via web browser.

For a detailed description of the web interface, the individual elements of the user interface and all required operating processes, see [Web interface](#) [▶ 49].



III. 3: Web interface – Overview

3.2.2 Sensor LEDs



Designation		Illuminated	Flashing
Link	green	<ul style="list-style-type: none"> if Ethernet connection present 	<ul style="list-style-type: none"> Device identification
Power	green	<ul style="list-style-type: none"> Voltage supply present 	—
Illuminated ring (disable via web interface)	red	<ul style="list-style-type: none"> Fail 	—
	green	<ul style="list-style-type: none"> Pass 	—
	blue	<ul style="list-style-type: none"> Ready for reading in monitoring mode 	<ul style="list-style-type: none"> Device identification
Pointer (disable via web interface)	green	<ul style="list-style-type: none"> Device in monitoring mode (positioning aid) 	<ul style="list-style-type: none"> Device in parameterization mode (positioning aid)

3.2.3 Display

The sensor features a display showing the different sensor parameters.

The following functions are available:

- Indicating firmware version at sensor boot up
- Indicating the sensor's IP address (alternating in between USB and Ethernet address)
- Indicating progress bar at Auto Setup
- Indicating job number of the currently loaded job
- Indicating the first code being read in the current job
- Indicating type and nature of the first code being read

Display will deactivate after having remained unaltered for 60 minutes (e.g. job execution). Display reactivates using the qTeach buttons or when alternating (e.g. Auto Setup).

3.3 Interfaces and protocols

NOTICE

Unprotected network environment

The sensor does not provide any IT security. Unauthorized persons might access the sensor.

- a) Check the sensor access possibilities.
- b) Restrict access rights.

The sensor provides several interface and protocol options (multi-protocol sensor). The available functions and measuring rates depend on the protocol used.

Available hardware interfaces are Ethernet, USB as well as digital I/O. Available network adaptors are Ethernet (192.168.0.50) and USB (169.254.2.1). Logical interfaces are service interface and process interface. The service interface is provided as a web interface.

The active process interfaces can be selected out of 3 variants: PROFINET IO (via Ethernet), TCP (via Ethernet), USB-HID (via USB). Web interface and process interfaces TCP and USB-HID utilize proprietary protocols.

The sensor supports one client connection per logical interface. At any time there is read access via the protocols. Changing the configuration is only feasible in parameterization mode. Switching to parameterization mode is via the web interface.

For the exact scope of interfaces and protocols please refer to the data sheet available for download at www.baumer.com.

Also see about this

 [Communication: Data telegram \[▶ 70\]](#)

3.3.1 PROFINET

PROFINET (Process Field Network) is an open Industrial Ethernet standard from PI (Profibus and Profinet International) based on existing IT standards (such as UDP).

PROFINET data organization is modular. Data is clustered in logical groups and mapped to the existing interfaces.

Different PROFINET modules are approved for specific PROFINETPLC slots. PROFINET modules comprise one to several submodules. Each of these modules is assigned exactly one submodule in subslot 1 of the sensor. The submodules are built from several data elements.

Data element update between sensor and controller (PLC) is periodically and module by module. The desired update time is defined by control (PLC) configuration. Supported are update times from 4 ms to 512 ms.

The following tables show the related data elements provided by the individual PROFINET sensor modules.

Data mapping and evaluation in the PLC requires configuration with the respective manufacturer-specific tool.

More information on data telegrams at [Communication: Data telegram ▶ 70](#).

Sensor functionalities mapping to PROFINET modules

The following tables provide an overview of how the sensor functionalities (data elements) are arranged in the individual PROFINET modules.

Module: Control and status

Sensor control and status information (selected by default).

- permitted in slot 1

Input data (device → PLC)

Byte	Data element	Bit 7	Bit 6	Bit 5	Bit 4	Bit 3	Bit 2	Bit 1	Bit 0
0	Status-Word	pad (0)							
1		pad (0)				Setup	pad (0)	Busy	TrgRdy
2	ActiveJob	active job number							
3									
4	Temperature	Temperature info							
5									
6	Result	pad (0)							
7		pad (0)						Fail	Pass
8	Result-ID	Unambiguous "Result-ID" assigned to Result, will increase by 1 with every new result, handled at 0xFFFFFFFF							
9									
10	Alarm	PN HS Error	PN Buffer Overflow	PN Pipeline Overflow	pad (0)				

Byte	Data element	Bit 7	Bit 6	Bit 5	Bit 4	Bit 3	Bit 2	Bit 1	Bit 0
11		FTP Error	Temperature error	Temperature warning	Error focus module	Error Set-Param	Error job selection	Job Timeout	Invalid Trigger
12	Handshake for input data - ControlAck	Alarm HS error	Alarm Pipeline Overflow	pad (0)				HS Modus (0-Info, 1-ack.)	HS Active
13	Handshake for input data - HSCnt	HS Counter							
14	Handshake for output data - ControlAck	pad (0)						HS Modus (0-Info, 1-ack.)	HS Active
15	Handshake for output data - HSAck	Confirmation HS Counter							

Output data (PLC → device)

Byte	Data element	Bit 7	Bit 6	Bit 5	Bit 4	Bit 3	Bit 2	Bit 1	Bit 0
0	Control-Word	pad (0)							
1		pad (0)							
2	SelectJob	Selection Active job number							
3									
4	Handshake for input data - Control	pad (0)						Selection HS Modus (0-Info, 1-ack.)	HS Activation
5	Handshake for input data - HSAck	Confirmation HS Counter							
6	Handshake for output data - Control	pad (0)						Selection HS Modus (0-Info, 1-ack.)	HS Activation

Byte	Data element	Bit 7	Bit 6	Bit 5	Bit 4	Bit 3	Bit 2	Bit 1	Bit 0
7	Handshake for output data - HSCnt	HS Counter							

Module: Control status and trigger data

Control of sensor and status information as well as secondary trigger data.

- permitted in slot 1

Input data (device → PLC)

Byte	Data element	Bit 7	Bit 6	Bit 5	Bit 4	Bit 3	Bit 2	Bit 1	Bit 0
0	Status-Word	pad (0)							
1		pad (0)				Setup	pad (0)	Busy	TrgRdy
2	ActiveJob	active job number							
3									
4	Temperature	Temperature info							
5									
6	Result	pad (0)							
7		pad (0)						Fail	Pass
8	Result-ID	Unambiguous "Result-ID" assigned to the result, will increase by 1 with every new result, handled at 0xFFFFFFFF							
9									
10	Alarm	PN HS Error	PN Buffer Overflow	PN Pipeline Overflow	pad (0)				
11		FTP Error	Temperature error	Temperature warning	Error focus module	Error Set-Param	Error job selection	Job Timeout	Invalid Trigger
12	Handshake for input data - ControlAck	HS error alarm	Alarm Pipeline Overflow	pad (0)				HS Modus (0-info, 1 -confirmation.)	HS Active
13	Handshake for input data - HSCnt	HS Counter							
14	Handshake for output data - ControlAck	pad (0)						HS Modus (0 info, 1 ack.)	HS Active

Byte	Data element	Bit 7	Bit 6	Bit 5	Bit 4	Bit 3	Bit 2	Bit 1	Bit 0
15	Handshake for output data - HSAck	Confirmation HS Counter							

Output data (PLC → device)

Byte	Data element	Bit 7	Bit 6	Bit 5	Bit 4	Bit 3	Bit 2	Bit 1	Bit 0
0	Control-Word	pad (0)							
1		pad (0)							Trigger
2	SelectJob	Selection Active job number							
3									
4	Length	Actual length of the user data in TriggerData<X>							
5									
6 .. 6+X- 1	Trigger-Data<X> (X = 8, 16, 32, 64, 128 or 240)	Trigger Data							
6+X	Handshake for input data - Control	pad (0)						Selection HS Modus (0-Info, 1-ack.)	HS Activation
7+X	Handshake for input data - HSAck	Confirmation HS Counter							
8+X	Handshake for output data - Control	pad (0)						HS mode selection (0-Info, 1-ack.)	HS Activation
9+X	Handshake for output data - HSCnt	HS Counter							

Module: Results

Result data - first code or data telegram being read according to user definition. Several modules possible (8, 16, 32, 64, 128, 240 bytes), X=16 selected by default.

- permitted in slot 2

Input data (device → PLC)

Byte	Data element	Bit 7	Bit 6	Bit 5	Bit 4	Bit 3	Bit 2	Bit 1	Bit 0
0	Result	pad (0)							
1		pad (0)						Fail	Pass
2	Result-ID	Unambiguous "Result-ID" assigned to the result, will increase by 1 with every new result, handled at 0xFFFFFFFF							
3									
4	Length	Actual length of the user data in Result<X>							
5									
6 .. 6+X-1	Result<X> (X = 8, 16, 32, 64, 128 or 240)	Result Data							
6+X	Handshake for input data - ControlAck	Handshake for input data - ControlAck	Alarm Pipeline Overflow	pad (0)				HS Mode (0-Info, 1-ack.)	HS Active
7+X	Handshake for input data - HSCnt	HS Counter							

Output data (PLC → device)

Byte	Data element	Bit 7	Bit 6	Bit 5	Bit 4	Bit 3	Bit 2	Bit 1	Bit 0
0	Handshake for input data - Control	pad (0)						HS mode selection (0-Info, 1-ack.)	HS Activation
1	Handshake for input data - HSAck	Confirmation HS Counter							

Module: Parameter

Parameter - default value for first code or parameter telegram being read according to user definition. Multiple modules permitted (8, 16, 32, 64, 128, 240 bytes).

- permitted in slot 3

Input data (device → PLC)

Byte	Data element	Bit 7	Bit 6	Bit 5	Bit 4	Bit 3	Bit 2	Bit 1	Bit 0
0	Handshake for output data - ControlAck	pad (0)						HS Mode (0-Info, 1-ack.)	HS Active
1	Handshake for output data - HSAck	Confirmation HS Counter							

Output data (PLC → device)

Byte	Data element	Bit 7	Bit 6	Bit 5	Bit 4	Bit 3	Bit 2	Bit 1	Bit 0
0	Length	Actual length of the user data in Parameter<X>							
1									
2 .. 2+X- 1	Parameter<X> (X = 8, 16, 32, 64, 128 or 240)	Parameter Data							
2+X	Handshake for output data - Control	pad (0)						HS mode selection (0-Info, 1-ack.)	HS Activation
3+X	Handshake for output data - HSCnt	HS Counter							

3.3.1.1 Handshake

To ensure data communication among networked devices with different processing speeds, the data flow among user devices requires synchronization at application level.

For doing so, there are two types of handshake: *simple handshake* and *handshake with confirmation*.

3.3.1.1.1 Simple handshake

The transmitter increases handshake count with every transmission of new data. This way the receiver recognizes new data being sent, even if data content remains the same.

Example: Every job evaluation produces the same result (e.g. identical code). Handshake count up shows a new image having been evaluated and the (unchanged) result having been transmitted.

General procedure simple handshake PLC input data (status, result data):

1. Simple handshake activated by PLC (outbound handshake input data in HS-I mode, bit 0 = 1, bit 1 = 0).
2. Sensor confirms handshake activation (inbound confirmation of activated handshake input data in HS-I mode, bit 0 = 1, bit 1 = 0).
3. Upon new data transmission, sensor counts up handshake of input data.
4. Count up of handshake input data will make PLC recognize arrival of new data for processing. PLC confirmation of data receipt is not required respectively will be ignored by the sensor.

General flow in single handshake of PLC output data (control, parameters, trigger data):

1. PLC activates the simple handshake (activation of outbound output data handshake in HS-I mode, bit 0 = 1, bit 1 = 0).
2. Sensor confirms the handshake activation (inbound confirmation of output data handshake activation in HS-I mode, bit 0 = 1, bit 1 = 0).
3. PLC increases the output data handshake count with every transmission of new data. Any further transmission of new data will immediately increase the output data handshake count.
4. By increased output data handshake count the PLC recognizes new data being received for processing. Sensor acknowledgement of data receipt is not required respectively will be ignored by the PLC.

Data sequence handshake for output data (PLC → device, e.g. TriggerData or parameters) - HS I (Info)

Step	Output data (PLC → device)			Input data (Device → PLC)		Explanation
	Data	HS Control	HS Cnt	HS ControlAck	HS Ack	
	<>	0x00	0x00	0x00	0x00	Ausgangssituation
1	<>	0x01	0x00			PLC activating "HS I"
2				0x01	0x00	Device confirms activation "HS I"
3	<A>	0x01	0x01			PLC transmits new data <A> and by changing HS cnt signals that the data is to be adopted.
				0x01	0x00	Device is processing the new data <A>, but there is no direct change in the input data.
4		0x01	0x01			Optional: PLC transmits new data HS Cnt not yet changed -> the data has not yet been adopted.
5		0x01	0x02			By changing HS Cnt, the PLC signals that the data are to be adopted.
				0x01	0x00	Device is processing the new data , but there is no direct change in the input data.

Data sequence handshake for input data (device → PLC, Result) - HS I (Info)

Step	Output data (PLC → device)		Input data (Device → PLC)			Explanation
	HS Control	HS Ack	Data	HS ControlAck	HS Cnt	
	0x00	0x00	<>	0x00	0x00	Initial situation
1	0x01	0x00	<>			PLC activating "HS I"
2				0x01	0x00	Device confirms activation "HS I"
3			<A>	0x01	0x01	Device is transmitting new data <A> and byh the changed HS Cnt signalizes that the data are to be adopted
	0x01	0x00				PLC is processing the new data <A>, but there is no direct change in the input data.
4				0x01	0x01	Optional: Device is transmitting new data HS Cnt not yet changed -> the data will not be adopted.
5				0x01	0x02	By changing HS Cnt the device signalizes that the data are to be adopted.
	0x01	0x00				PLC processes new data , but there is no direct change in the input data.

3.3.1.1.2 Handshake with acknowledgement

The transmitter increases handshake count with every transmission of new data. Receiver returns the received handshake count to transmitter as HS-Ack. Transmitter will not transmit new data until having received the acknowledgement (with increased handshake count). This mode will reduce the amount of data transferred per time period.

General handshake routine with input data confirmation by PLC (status, result data):

1. PLC activates the handshake (outbound input data handshake activated in HS-I mode, bit 0 = 1, bit 1 = 1).
2. Sensor confirms handshake activation (inbound confirmation of activated handshake input data in HS-I mode, bit 0 = 1, bit 1 = 1).
3. Sensor will increase input data handshake count with every new data transmission and awaits acknowledgement of receipt (HS-Ack). Any further data for transmission will be held in pipeline.
4. Count up of handshake input data will make PLC recognize arrival of new data for processing. By doing so, sensor acknowledges data receipt by returning HS-Ack.
5. The acknowledged HS count (outbound HS Ack) informs the sensor that the transmitted data were received and the sensor will transmit another data.

General process flow of handshake with PLC output data acknowledgement (control, parameters, trigger data):

1. Handshake activated by PLC (outbound handshake of output data in HS-I mode, bit 0 = 1, bit 1 = 1).
2. Sensor acknowledges handshake activation (inbound handshake acknowledgement of activation for output data in HS-II mode, bit 0 = 1, bit 1 = 1).
3. With every new data transmission, the PLC increases the output data handshake count and awaits the acknowledgement of receipt (inbound HS-Ack). Any further data ready for transmission will be held in pipeline or can be deleted.
4. By the increased output data handshake count the PLC recognizes receipt of new data for processing. By doing so, the sensor acknowledges data receipt by returning the received handshake count (HS-Ack).
5. By the inbound acknowledgement (HS-Ack of output data), the PLC recognizes data receipt and would transmit another data package.

Data sequence handshake for output data (PLC → device, e.g. TriggerData or parameters) - HS II (with confirmation)

Step	Output data (PLC → device)			Input data (Device → PLC)		Explanation
	Data	HS Control	HS Cnt	HS ControlAck	HS Ack	
	<>	0x00	0x00	0x00	0x00	Initial situation
1	<>	0x03	0x00			SPS enables "HS II"
2				0x03	0x00	
3	<A>	0x03	0x01			PLC transmits new data <A> and by changing HS cnt signals that the data is to be adopted.
4				0x03	0x01	Device acknowledges receipt of the data <A> by returning the current HS Cnt (0x01) on HS Ack. Device is processing the data.
5		0x03	0x01			Optional: PLC transmits new data HS Cnt not yet changed -> the data has not yet been adopted.
6		0x03	0x02			By changing HS Cnt, the PLC signals that the data are to be adopted.
7				0x03	0x02	Device acknowledges receipt of the data <A> by returning the current HS Cnt (0x02) on HS Ack. Device is processing the data.
Example HS error:						
8	<C>	0x03	0x03			PLC transmits new data <C> and by changing HS Cnt signals that the data are to be adopted.
				0x03	0x02	however, new data <C> is not yet confirmed by the device.
9	<D>	0x03	0x04			PLC transmits new data <D> and by changing HS Cnt signals that the data are to be adopted without prior confirmation of the previous data <C>.

Step	Output data (PLC → device)			Input data (Device → PLC)		Explanation
10				0x83	0x02	Device reports Profinet handshake error.

Data sequence handshake for input data (device → PLC, result) - HS II (with confirmation)

Step	Output data (PLC → device)		Input data (Device → PLC)			Explanation
	HS Control	HS Ack	Data	HS ControlAck	HS Cnt	
	0x00	0x00	<>	0x00	0x00	Initial situation
1	0x03	0x00	<>			SPS enables "HS II"
2				0x03	0x00	Device confirms "HS II" enabled
3			<A>	0x03	0x01	Device is transmitting new data <A> and by changing HS Cnt signals that the data are to be adopted.
4	0x03	0x01				PLC confirms receipt of the data <A> by returning the current HS Cnt value (0x01) on HS Ack. PLC is processing the data.
5				0x03	0x01	Optional: Device transmits new data but HS Cnt not yet changed -> the data are not yet adopted.
6				0x03	0x02	By changing HS Cnt the device signals that the data are to be adopted.
7	0x03	0x02				PLC acknowledges receipt of the data by returning the current value of HS Cnt (0x02) on HS Ack. PLC is processing the data.

3.3.2 TCP

Device integration here is via Ethernet connection and the preset *port 50000*. For doing so, connect the device to your system and complete parameterization, particularly configuration of the IP address.

See chapter: [Device configuration mode \[▶ 75\]](#)

Once device connection via the preset port has been established, data can be retrieved or commands can be transmitted. For doing so you may use **Data Telegram**. They comprise a 2 byte command followed by the parameters.



INFO

For data telegram configuration, first some of the features to be controlled/retrieved (e.g. expected code value or read code) must be created via the web interface. Image acquisition parameters (e.g. the exposure time) are immediately available for data telegram configuration.

[Communication: Data telegram \[▶ 70\]](#)

Data telegrams must end with one of the following control characters:

- <CR> (Hex: 0D, escape sequence: \r)
- <LF> (Hex: 0A, escape sequence: \n)
- <CR><LF> (Hex: 0D 0A, escape sequence: \r\n)

3.3.2.1 Command "CS - Clear Statistics"

Sensor statistics reset (result counter, history of reading cycles, reading speed, quality).

Example

PLC → Sensor (command)	
Command	Parameter
CS (Clear Statistics)	None
Sensor → PLC (response)	
ACK (ACKnowledge)	None

3.3.2.2 Command "GJ - Get Job"

Download configured job from the sensor.

Example

PLC → Sensor (command)	
Command	Parameter
GJ (Get Job)	<JobID> Job selection with index (1-32) ASCII-Hex
Sensor → PLC (response)	
BD (Binary Data)	<length>,<data of the job>
ERR (ERRor)	GetJob,Invalid job index or not allowed <ErrorCategory>, <ErrorDescription>

3.3.2.3 Command "GS - Get State"

Sensor returns status information.

Example

PLC → Sensor (command)	
Command	Parameter
GS (Get State)	none
Sensor → PLC (response)	
RS (Response State)	<p>Arrangement <OperatingMode>,<CurrentJob>,<Power up Job>, <Trigger-Ready>,<Temperature>,<Alarm></p> <p>Explanation <OperationMode>: RUN = Image processing / SETUP = Parameterization <CurrentJob>: 1- 32 (ASCII-Hex) <Power up Job>: 1- 32 (ASCII-Hex) <TriggerReady>: 0 = no / 1 = yes <Temperature>: current temperature (ASCII-Hex) <Alarm>: see table below</p> <p>Example RSRUN, 7, 7, 1, 29, PifAlarm</p>

Alarms

Alarm	Definition, Description
TemperatureWarn	Device temperature warning threshold is reached.
TemperatureErr	Reading error device temperature.

Alarm	Definition, Description
InvalidTrigger	Invalid trigger identified.
JobTimeout	Maximum processing time for job is exceeded.
FokusErr	Focus error.
JobSelErr	Job selection error.
PifAlarm	Communication error at process interface.
FtpConErr	FTP server connection error.
FtpLogErr	FTP server logon error (e.g. incorrect user data).
FtpWrErr	Writing error at FTP server.
FtpImgDrpTrf	Error in image saving to FTP server. Images to be saved are deleted. A possible cause may be trigger too fast or FTP server connection too slow.

3.3.2.4 Command "Help"

Sensor returns all available commands.

PLC → Sensor (command)	
HELP	

3.3.2.5 Command "RS - Reading Signal"

Enable/ disable read signal for image acquisition.

Example

PLC → Sensor (command)	
Command	Parameter
RS (Reading Signal)	0 = disable read signal 1 = enable read signal, image acquisition is only triggered if digital inputs are active.

Sensor → PLC (response)	
ACK (ACKnowledge)	None
ERR (ERRor)	ReadingTrigger, Reading signal enable failed ReadingTrigger, Reading signal disable failed <ErrorCategory>, <ErrorDescription>

3.3.2.6 Command "SJ - Switch Job"

Switch to a job previously created on the sensor.



INFO

To execute this command the sensor must be in *RUN* mode.

Example

PLC → Sensor (command)	
Command	Parameter
SJ (Switch Job)	Job change with given index (1-32) ASCII-Hex
Sensor → PLC (response)	
ACK (ACKnowledge)	Parameter
	None
ERR (ERRor)	SwitchJob,Invalid job index or not allowed <ErrorCategory>, <ErrorDescription>

3.3.2.7 Command "SM - Switch Mode"

Switches the current sensor operating mode to another one.

Example

PLC → Sensor (command)	
Command	Parameter
SM (Switch Mode)	RUN = Monitoring mode SETUP = Parameterization mode
Sensor → PLC (response)	
ACK (ACKnowledge)	Parameter
	None
ERR (ERRor)	SwitchMode,Invalid mode = wrong mode selected SwitchMode,Not allowed for current user = Password protection enabled <ErrorCategory>, <ErrorDescription>

3.3.2.8 Command "SP - Set Parameters"

Setting the expected values for measurement tasks and image acquisition parameters on the sensor.

[Mode Parameterization Tools \[▶ 55\]](#)



INFO

To execute this command the sensor must be in *RUN* mode.

Example

PLC → Sensor (command)	
Command	Parameter
SP (Set Parameters)	SP4444, Free Running <exposure time>, <trigger mode>
Sensor → PLC (response)	
ACK (ACKnowledge)	None
ERR (ERRor)	SetParameter, Invalid data or not allowed = Data invalid <ErrorCategory>, <ErrorDescription>

3.3.2.9 Command "TR - Trigger"

Activation of software trigger with optional trigger data.

Example

PLC → Sensor (command)	
Command	Parameter
TR (TRigger Image)	<additional data only if configured>
Sensor → PLC (response)	
ACK (ACKnowledge)	None
RD (Response Data)	RD5901234123457, 4013743004201 <read code>, <expected code>

3.3.2.10 Command "UJ - Upload Job"

Transfer job to the sensor.



INFO

To execute this command the sensor must be in *RUN* mode.

Example

PLC → Sensor (command)	
Command	Parameter
UJ (Upload Job)	<JobID> Job selection with index (1-32) ASCII-Hex <Size> Job size <Data> Job data
Sensor → PLC (response)	
ACK (ACKnowledge)	None
ERR (ERRor)	UploadJob,Invalid data = no valid job file UploadJob,Invalid mode = Sensor not in mode <i>RUN</i> UploadJob,Invalid job index or not allowed = invalid job index or device is currently busy <ErrorCategory>, <ErrorDescription>

3.3.3 USB-HID

The device will act as keyboard. The configured **Data Telegram** (without RD header) is output via the USB interface for evaluation by a connected system using its active software, similar to keyboard input.

[Device configuration mode \[▶ 75\]](#)

4 Transport and storage

4.1 Transport

NOTICE

Material damage due to improper transport.

- a) Ensure maximum diligence when unloading the delivered packages as well as when transporting them inside the company.
- b) Note the information and symbols on the packaging.
- c) Only remove packaging immediately before mounting.

4.2 Delivery inspection

Upon receipt immediately inspect the delivery for completeness and transport damage.

Claim any defect as soon as it is detected. Damages can only be claimed within the applicable claims deadlines.

In case of externally visible transport damage, proceed as follows:

Instruction:

- a) Do not accept the delivery or only with reservations.
- b) Note the scope of the damage on the transport documents or the delivery slip of the carrier.
- c) Initiate the claim.

4.3 Storage

Store the product at the following conditions:

- Only transport or store the device in its original packaging.
- Do not store outdoors.
- Store dry and free from dust.
- Do not expose to aggressive media.
- Keep away from the sun.
- Avoid mechanical agitation.
- Storage temperature: -10 (14)... +60 (140) °C (°F)
- Ambient humidity: 20 ... 85 %
- When storing for longer than 3 months, regularly check the general state of all parts and the packaging.

5 Installation

5.1 General safety instructions

- Assembly, mounting, and calibration of the sensor may only be performed by a specialist.
- Only use the appropriate fasteners and mounting accessories intended for installation.
- Do not use any unassigned output. Unused wires of cable outputs must be insulated.
- Do not go below the permissible cable bending radii.
- Prior to electrical connection of the product, the system must be down and not live.
- Use shielded cables as protection against electromagnetic interference.
- Cable dielectric strength must at least correspond to the operating voltage.
- The selected minimum cable cross-section must match the maximum current.
- The cable temperature resistance must be within the specified device temperature range.
- Where plug-in connections are added to shielded cables by the customer, these plug-in connections must be EMC compliant and the cable shield must be attached to the connector housing over a large surface area.

5.2 General information for mounting

- The device can be operated in any installation position.
- Mount the device using the provided M3 threads.
- Align the device in a way the image center is focused on the object under verification.
- Make sure when installed the device will be exposed to as few vibrations as possible during operation to prevent impaired image quality (blurred images).
- When installing the device, make sure there are no obstacles between sensor and object which may block sensing or create reflections.
- Make sure the installation location offers maximum protection against dust.
- Power supply is via the electrical connection (12-pin M12 connector, A-encoding, male).
- The USB interface is intended for data transfer only, not for power supply. Power supply always via the 12-pin M12 connector.



INFO

For sensor attachment please use the specialized mounting material available. This allows sensor installation even at profiles and rods.

5.3 Notes on heat dissipation



CAUTION

Device may heat up during operation!

High temperatures may damage the device and when in contact with the skin for a longer time may cause irritations.

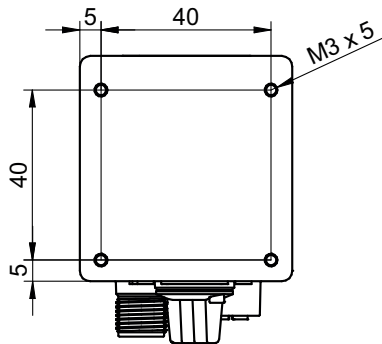
- a) Make sure that heat dissipation is provided by appropriate installation. Best, heat dissipates via the rear.
- b) Use at limit level requires mounting to a solid metal body (aluminum)!
- c) Temperature monitoring allows for temperature checks in installed condition. Implement safety measures at the warning threshold. If required, use the cooling element provided at the device and/or support.

Furthermore, we recommend the following for heat dissipation by device installation:

- Avoid installation onto stainless steel. Stainless steel has a roughly 10-fold lower thermal conductivity compared to aluminium.
- Do not install the device at the end of a profile; this will allow heat to dissipate on both sides (higher temperature drops over a larger area)!
- Matt painted surfaces (any color) and anodized surfaces provide better heat dissipation than bare metallic surfaces (radiation heat). Use painted or anodized profiles for device installation.
- Any form of convection around device and fittings helps lower the temperature. Avoid heat accumulation!
- Do not operate any other devices close to the sensor, since the sensor could heat up further by exhaust heat.
- Mount the sensor at rear optimal heat dissipation.

5.4 Mounting the sensor

Rear sensor mounting (preferred installation)



III. 4: Screwing points - rear mount

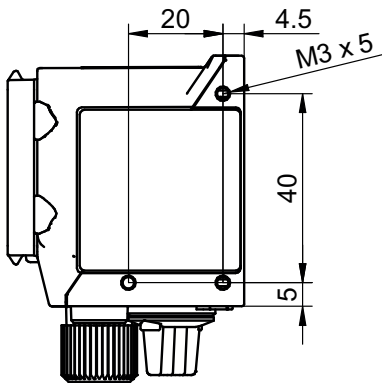
Condition:

⇒ M3 screws × (5 + x) (4 pieces) / x = sheet thickness of the screw-on angle

Instruction:

- ◆ Screw the sensor in place. Torque: max. 0.8 Nm.

Side mounting



III. 5: Screw-on points - side mounting

Condition:

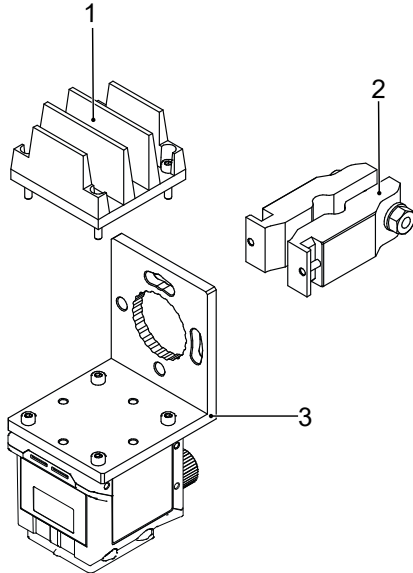
⇒ M3 screws × (5 + x) (3 pieces) / x = sheet thickness of the screw-on angle

- ◆ Screw the sensor in place. Torque: max. 0.8 Nm.

5.5 Accessories (not included)

Sensor attachment

For sensor attachment please use the modular *Smart Mounting Kit*. It will allow sensor installation even at profiles and rods.

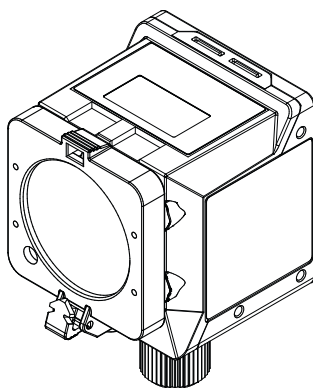


III. 6: Smart Mounting Kit A

Number	Denotation	Item number
1	Cooling element <i>Smart Mounting Kit A</i>	11720395
2	Attachment by bar <i>Smart Mounting Kit A</i>	11720396
3	Angle	11720397

Polarizing filter

Polarization filters may be used for better performance in measuring tasks on glossy surfaces.



III. 7: Polarizing filter snap-on 44 mm (item number: 11704588)



INFO

Using a filter will darken the image. Re-parameterization of image acquisition configuration may be required.

Additional accessories can be found on the website at:

<https://www.baumer.com>

6 Electrical installation

6.1 General instructions for electric installation

NOTICE

Device damage due to faulty power supply.

The device can be damaged due to faulty power supply.

- a) Operate the device only with protected low voltage and safe electrical isolation of protection class III.

NOTICE

Device damage or unintended operation due to work on live parts.

Any wiring work on live parts may lead to unintentional operation.

- a) Prior to performing any wiring work disconnect power supply.
- b) Only connect or disconnect any terminals when not live.

NOTICE

IP50 protection will still be present even if the protective plug is removed.

Remove the protective plug for the shortest time possible and only in a clean ambience (free from dust, liquids, etc.).

- The sensor's USB interface is for data transfer only, not for power supply. Power supply always via the 12-pin M12 connector.
- Prerequisites for IP rating:
 - Cable connection present at the process interface (12-pin M12 connector).
 - The USB interface must be closed during operation (protective plug) to achieve IP67. Utilizing the HID protocol with hence missing protective plug will achieve IP50 rating.

6.2 Connecting the sensor to the electrical system

NOTICE

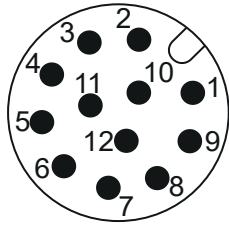
Use a power unit for sensor supply. The USB interface is intended for data transfer only. Power supply is always via the 12-pin M12 connector.

Instruction:

- a) Ensure that the system is disconnected from power.
- b) Connect the sensor according to the pin assignment.

6.3 Pin assignment

Power Supply / Digital-IO

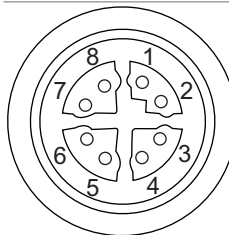


1	Power (19.2 ... 28.8 VDC)	2	Ground
3	IN1 (Trigger)	4	IN2
5	IN3	6	OUT1
7	(not used)	8	OUT2
9	OUT3	10	(not used)
11	(not used)	12	(not used)

Wire colors according to DIN IEC 757

1	BN – Brown	2	BU – Blue
3	WH – White	4	GN – Green
5	PK – Pink	6	YE – Yellow
7	BK – Black	8	GY – Grey
9	RD – Red	10	VT – Violet
11	GY-PK – Grey Pink	12	RD-BU – Red Blue

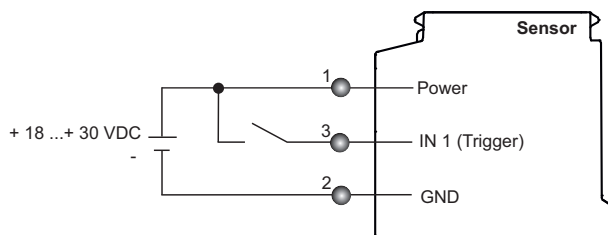
Industrial Ethernet



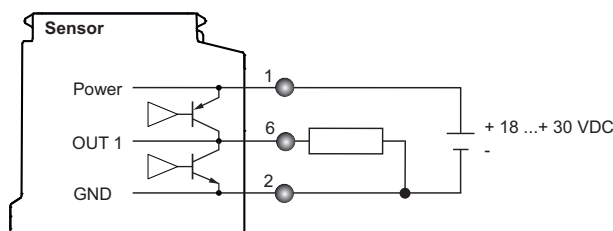
1	RX+	2	RX-
3	TX+	4	TX-
5	-VDC	6	-VDC
7	+VDC	8	+VDC

6.4 Wiring

Input



Output



7 Commissioning

7.1 Connecting the sensor to the PC



INFO

Internet Explorer is not supported in any version, there will be no sensor connection.
Microsoft Edge is not supported. However, most of the cases allow for use without restrictions.

Condition:

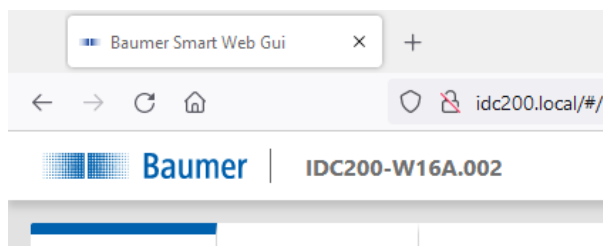
- ⇒ PC with web browser Mozilla Firefox from version 69 or Google Chrome from version 77.
- ⇒ Local domain (idc200.local) resp. the sensor's IP-address (see sensor display).

Instruction:

- a) Connect sensor to a PC via a USB C cable.
- b) Establish power supply with 12-pin M12 connector.
- c) Open the web browser on your PC.
- d) In the address bar of web browser enter: -
 - IDC200.local
 - or
 - the sensor's IP address

Result:

- ✓ The sensor is now connected to the PC.



7.1.1 Allocating an IP address to the PC

NOTICE

Network errors due to multiple allocations of IP addresses.

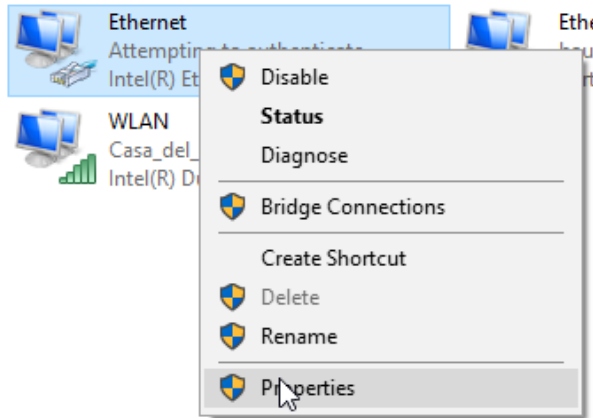
- a) Make sure that each IP address within the network is unique and not already allocated.

The following section describes how to allocate a unique IP address to the PC. Prerequisite here is that the IP address of the sensor was not The prerequisite for this is that the IP address of the sensor has not been changed.changed.

Instruction:

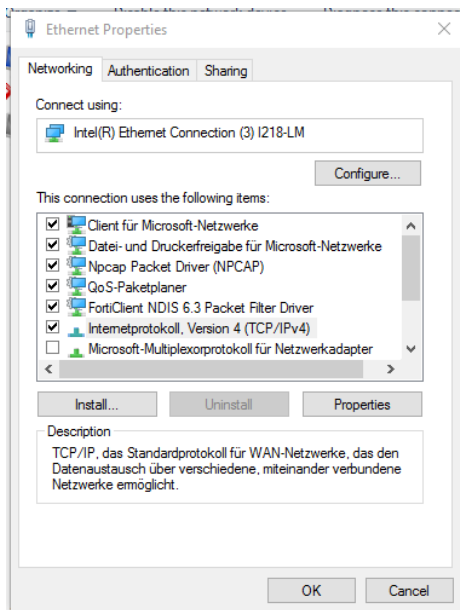
- a) In Windows select **Start | System control | Network and Internet | show network status and tasks | edit adapter settings**.
 - ✓ Window **Network Connections** opens.
- b) Click the symbol of the network adapter in use.

If you do not know the network adapter, remove the network cable of the sensor from the PC and observe which text changes in window **Network Connections**.
- c) In the context menu (right-click on icon) of the network adapter select **Properties**.



✓ Window **Properties of Ethernet** opens.

d) Tick checkbox **Internet Protocol Version 4 (TCP/IPv4)**.



e) Click **Properties**.

✓ Window **Properties of Internet Protocol Version 4 (TCP/IPv4)** opens.

f) Under **Use following-IP-Address** enter the following parameters:

IP-Address: in the range from 192.168.0.1 to 192.168.0.254. Select an IP address that is not yet allocated in your network.

Subnet mask: 255.255.255.0.

g) Click **OK**.

Result:

✓ The PC as been allocated an IP address.

7.1.2 Determining the sensor's IP address

Below is a description of how to determine the sensor's IP allocated in the Ethernet network. This is required if the IP address was assigned by DHCP, in the event the information on statically set IP address is no longer available or if the sensor display is out of sight. In general, there are 2 options for identifying the IP address.



INFO

IP address in USB connection is 169.254.2.1 and cannot be edited.

Option 1: IP address query via mDNS

Instruction:

- a) Open a browser.
- b) Enter the following command in the browser address line:


```
IDC200-[identifier].local
```

 Replace [identifier] Replace [Kennung] by the 8-digit article number or the MAC address specified at sensor.
 Replace IDC200 by part of the sensor identifier preceding the hyphen "-".
 Both information can be seen on the sensor label.
 Example: IDC200-J381.10.X-0128-413.local or
 IDC200-11-22-33-44-55-66.local
INFO: If only one sensor of the family is connected to network or PC, this identifier can be omitted. In this case, the sensor is accessible under IDC200.local.

Result:

- ✓ The device opens the web interface.

Option 2: IP address query via ping command

- a) In Windows, select Start | Search.
- b) In the search bar, enter the value cmd.
 - ✓ The Prompt window opens.
- c) Execute the following command: `ping IDC200-[identifier].local`
 Replace [identifier] by the eight-digit part number or the MAC address specified on the sensor.
 Replace IDC200 by the part of the sensor identifier preceding the hyphen "-".
 Both specifications can be found on the sensor label.
 Example: `ping IDC200- J381.10.X-0128-413.local` or `ping IDC200-11-22-33-44-55-66.local`

Result:

- ✓ You are provided with the sensor's IP address (in the example: 192.168.0.250):
 "Ping is being executed for IDC200- J381.10.X-0128-413.local [192.168.0.250] with 32 bytes of data"

The sensor might not be accessible by PC though having entered the sensor's IP address. In this case, allocate a new IP address to your PC (see [Allocating an IP address to the PC](#) [46]). Make sure to allocate your PC an IP address that is close to the sensor's IP address, e.g.:

- IP address of PC: 192.168.0.251
- IP address of sensor: 192.168.0.250

8 Web interface

8.1 Functions and tasks

You as a user may benefit from the web interface by eased device parameterization. Further to parameterization of up to 32 jobs, there are configuration options for device settings, backup for device replacement for data generation and upload as well as diagnostic data for monitoring the device temperature. In monitoring mode, settings can be checked in operation.

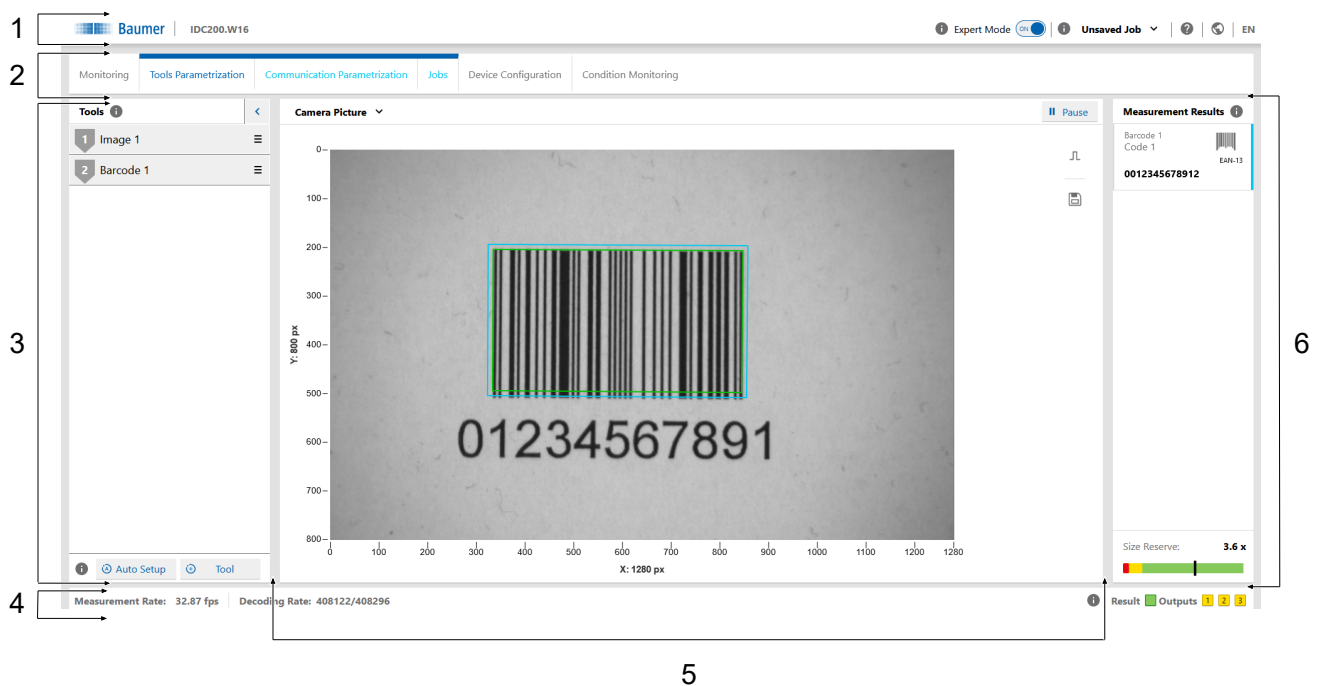
NOTICE

Damage caused by unauthorized access

When using the web interface, observe security aspects of web technology to prevent access by unauthorized persons.

- a) Avoid any sensor access from outside the machine.
- b) Do not use VPN sensor connection.

8.2 User interface description






III. 8: Web interface - user interface

1	Header	2	Menu bar
3	Parametrisation area	4	Footer
5	Visualisation area	6	Measured values

8.2.1 Header

The header is found in the top section of the user interface. The header is always visible, no matter which mode is currently applied.

Sensor name	<ul style="list-style-type: none"> ▪ Sensor name
Expert Mode	<ul style="list-style-type: none"> ▪ Expert mode enable/disable. ▪ In expert mode, more complex functions and parameters become visible that require a deeper understanding of measurement physics and the applied algorithm. The expert mode can be activated and deactivated at any time.
	<ul style="list-style-type: none"> ▪ Call up the context help.
Job (1 - 32)	<ul style="list-style-type: none"> ▪ Select desired job (1 - 32) ▪ Change is adopted immediately. However, changes must be saved in a job so that they are available after sensor restart.
Unsaved Jobs	<ul style="list-style-type: none"> ▪ Message that a change has not been stored yet.
	<ul style="list-style-type: none"> ▪ Display sensor type ▪ Display serial number. ▪ Download diagnostic data from the device for submission to helpdesk for further analysis. ▪ Button for requesting support via e-mail.
	<ul style="list-style-type: none"> ▪ Link to website.
EN	<ul style="list-style-type: none"> ▪ Selection of the language of the user interface.

8.2.2 Menu bar

The menu bar allows the navigation among the modes of the web interface. The currently selected menu item is highlighted by a blue ribbon and blue text.





Monitoring	<ul style="list-style-type: none"> ■ Measured value display. ■ No parameter change enabled.
Parametrization	<ul style="list-style-type: none"> ■ Sensor parameterization. ■ Access to this mode can optionally be stored with a password at Device Configuration.
– Tools Parametrization	<ul style="list-style-type: none"> ■ Image: Manual setting of image and lighting parameters, such as trigger, exposure, lighting and focus. ■ Tools: Manual interference on the code reading parameters as post-parameterization or after Auto Setup. ■ Auto Setup): Automatic setting of image parameters, such as exposure time and focus (if selected). Codes within the sensor's field of view are automatically detected. ■ Tool.add new measurement tasks and auxiliary measurement tasks. <p>INFO: Parameterization is limited to 8 tools max.</p>
– Communication Parametrization	<ul style="list-style-type: none"> ■ Configuration of the data telegrams to the PLC. ■ Sensor digital outputs settings.
– Jobs	<ul style="list-style-type: none"> ■ Save configured test tasks in a job. Specify which job is to be executed at sensor start. Import and export jobs.
Device Configuration	<ul style="list-style-type: none"> ■ Setting and retrieving of sensor-specific features and information, network settings, time synchronization, process interface settings, defining password, retrieving settings of web interface and firmware.
Condition Monitoring	<ul style="list-style-type: none"> ■ Display of diagnostic data, such as operating time, temperature and operating voltage.

8.2.3 Parametrisation area

The parameterization section allows for setting various parameters according to the selected menu item in **Parametrization** mode.

8.2.4 Footer

The footer is found at the bottom of the user interface. The footer is always visible, no matter of the currently applied mode.

Measurement Rate	<ul style="list-style-type: none"> Display of current measuring rate (in fps). In continuous image acquisition, the measurement rate is limited by the decoding time required per image.
Decoding Rate	<ul style="list-style-type: none"> Display images with identified code / total images Display counts up to 4,294,967,296 (2^{32}) and then resets to 0.
Alarm	<ul style="list-style-type: none"> Display of an alarm message. Triggers may be: <ul style="list-style-type: none"> Excess temperature Communication error
Result	<ul style="list-style-type: none"> Display of overall result
	 <ul style="list-style-type: none"> Red: Overall result is Fail
	 <ul style="list-style-type: none"> Green: Overall result is Pass
Outputs	<ul style="list-style-type: none"> Digital output status. <p>NOTE: The symbol color does not change, regardless if the switching output is busy at that very moment.</p> <p><i>Communication: Digital output [▶ 73]</i></p>
	 <ul style="list-style-type: none"> Yellow: digital output enabled.
	 <ul style="list-style-type: none"> Gray: digital output disabled.

8.2.5 Visualisation area

The measured data is displayed in the visualisation area. The style and structure of the visualisation area depend on the currently active mode of the web interface.

8.2.6 Measured values

In window **Measurement** appear the parameterized tools (e.g. codes) together with the related measured values. The display layout depends on the configured sensor tasks.

In the web interface, the measured values come in the order they are transmitted by the process interface.

Size Reserve

The bottom section of the window provides the function **Size Reserve**. This function would map how many times a code may be smaller but yet will remain readable, both as graphics and as a number. This allows for direct code evaluation under aspects of structural size and the influence of distance in relation to resolution and readability.

Matrix codes also consider the settings in **Parameter Set**. Setting **Maximum** has a higher reserve capacity than **Standard**, since the algorithm can also handle lower resolutions. However, this entails increased processing time.

With several codes present in the image, the indication refers to the code which is in the lower level of readability. **Size Reserve** is displayed as a tool tip for the respective measuring tool. Clicking on **Size Reserve** will highlight the respective code in the image.

Readability criteria are as follows:

- Size
- Structure (print quality)
- Reading method

Example



Display: **1.5 x**

Current distance of sensor to code: 10 cm

Maximum possible distance to sensor: 15 cm



INFO

Possible increase of the measuring rate

Reducing **Size Reserve** may achieve a higher measuring rate, since there will be less pixels for evaluation.

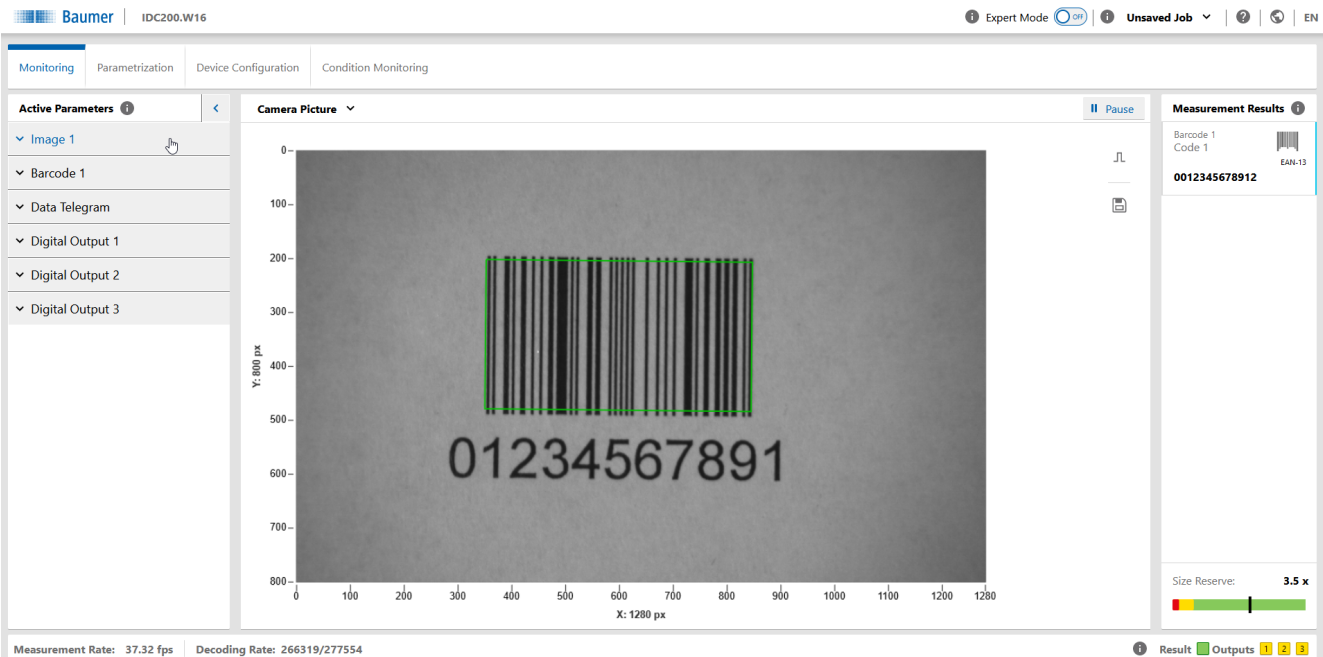
- a) Mount the sensor in a way that **Size Reserve** are 1 where possible.

8.3 Monitoring mode

Monitoring shows the current live image of the sensor in the visualization area. If measurement tasks have been parameterized, the found areas are will be marked in the image. The results of these measurement tasks appear in window **Measurement**.

Mode **Monitoring** does not enable parameter editing.

Statistics functions (**History**, **Speed**, **Quality**, **Failed images**) are accessible, see chapter [Statistical functions \[▶ 79\]](#).



III. 9: Web interface - Monitoring mode

Pause	<ul style="list-style-type: none"> Visualisation is stopped.
	<ul style="list-style-type: none"> A trigger is released operation is not in Trigger Mode Free running.
	<ul style="list-style-type: none"> Save the currently displayed image as a .bmp file.

8.4 Parameterization mode

Parameterization mode is for setting the measuring tools, communication and jobs.

8.4.1 Mode Parameterization Tools

Mode **Tools Parameterization** is for assigning the sensor the desired measuring tools and for parameterization of their individual attributes.

Measuring tools are predefined sensor functions for reading measured values (e.g. codes) based on the acquired image.

Furthermore, you can execute **Auto Setup** for automated parameterization in image acquisition and for automated tracking of measuring features in the image.

Tool vs. Auxiliary tool

Measurement tools use the image as input. Auxiliary tools use the output of a measurement tool as input. For an auxiliary tool, the input must be defined before a measured value can be displayed. For an auxiliary tool, the input must be defined before a measured value can be displayed. If the input has not been defined or in the event of invalid measured values applied at the input will provide NaN (Not a Number) .

ROI (Region of Interest) - evaluation area

ROI(**Region of Interest**) or evaluation area is the area in the image that is taken into account for the evaluation. The ROI can be freely selected (via web interface using the sliders or the tools input fields). Characteristics truncated by the evaluation area are being fully read.

Auto Setup**INFO**

Executing **Auto Setup** will delete all configured tools. If required, save a **Job** prior to execution.

Camera Picture	<ul style="list-style-type: none"> ▪ Focus: automatic focus settings ▪ Exposure: automatic exposure settings ▪ Max. Object speed: Setting the objects' moving speed (e.g. on a conveyor belt). The system automatically ensures that Exposure Time is small enough to allow the speed. To this end, Gain may be increased to reduce Exposure Time. Recommended to always specify a value for object speed. <p>NOTE: Brightness is reduced by a polarizing filter, in an analog way no polarizing filter will increase brightness. This will shorten exposure time and increase object speed.</p>
Code search	<ul style="list-style-type: none"> ▪ 1D Barcode ▪ 2D Matrixcode <ul style="list-style-type: none"> ▪ <i>Search 2D Codes with separate tools (faster)</i> <p>NOTE: Defining an evaluation range may be useful if the image has more codes than must be read. This can be done by parameterization of the corresponding measuring tool.</p>

Tool add

+Tool	Add Tools / Auxiliary tool
--------------	-----------------------------------

8.4.1.1 Measuring tool: Image

Reliable measurements require the measuring features in the image being clearly readable to the sensor. For reliable results perform the required parameterization.

Exposure	<ul style="list-style-type: none"> ▪ Exposure Time manual setting of exposure time in μs. ▪ Auto automatic setting of exposure time
Gain	<ul style="list-style-type: none"> ▪ Enable / disable further image brightening by amplification. ▪ Expert Mode is for selecting the gain level (2 / 4 / 8).
Internal Illumination	<ul style="list-style-type: none"> ▪ Enable / disable the internal sensor illumination. ▪ Expert Mode provides a selection of individual segments.
Focus	<ul style="list-style-type: none"> ▪ Manual focus adjustment in mm (sensor distance towards the surface to be inspected). ▪ Auto: automatic focusing.
Trigger mode	<ul style="list-style-type: none"> ▪ Free running: Immediately at the end of an image evaluation the next image will be acquired. ▪ Interval: Image acquisition is triggered at the set interval. ▪ Trigger: Image acquisition is manually triggered, system awaiting an external event (Digital Inputs, button Trigger) as image acquisition trigger. The previous measuring operation is always completed first, even if a event is present. ▪ Burst: start triggered by external event (Digital Inputs, button Trigger). Image acquisition continues until the set value (Timeout / Image count) is reached or after a successful read result. ▪ Reading signal required: image acquisition only triggered if Digital Inputs enabled. Only available in modes Free running and Interval. ▪ Trigger delay: Setting a one-time power-on delay prior to image acquisition. Only available in trigger modes Trigger and Burst. ▪ Stop after: stop image acquisition after a defined event. Only available at Burst.
Processing time	<ul style="list-style-type: none"> ▪ Total job duration: Limiting the job processing time.

The following values can be set via the process interface ([Communication: Data telegram](#) [▶ 70](#)):

Input value	Data type	Measurement range	Unit
Exposure time	Integer	0 - 5000	μs
Segment (West)	Bool	0 / 1	-
Segment (North)	Bool	0 / 1	-
Segment (South)	Bool	0 / 1	-
Segment (East)	Bool	0 / 1	-
FocusDist	Integer	50 - 1000	mm
Verstärkung	Integer	2 / 4 / 8	-
Trigger mode	Integer	Free Running Interval Manual	-

Input value	Data type	Measurement range	Unit
		Burst	

The process interface is capable of reading the following values:

Input value	Data type	Measurement range	Unit
Parameter Data			
<i>Exposure time</i>	Integer	0 - 5000	µs
<i>Segment (West)</i>	Bool	0 / 1	-
<i>Segment (North)</i>	Bool	0 / 1	-
<i>Segment (South)</i>	Bool	0 / 1	-
<i>Segment (East)</i>	Bool	0 / 1	-
<i>FocusDist</i>	Integer	50 - 1000	mm
<i>Gain</i>	Integer	2 / 4 / 8	-
<i>Trigger mode</i>	Integer	Free Running Interval Manual Burst	-

8.4.1.2 Measuring tool: Barcode

This measuring tool is for reading barcodes. Furthermore, the code reading quality can be specified compliant to ISO/IEC 15416.

Image source	<ul style="list-style-type: none"> ▪ Image 1
Code types	<ul style="list-style-type: none"> ▪ All: : image is searched for every for every readable barcode. ▪ List: Shows a barcode list for selection. <ul style="list-style-type: none"> ▪ EAN/UPC: Shows a list of EAN and UPC codes. ▪ GS1: Shows a list of GS1 codes. ▪ Misc: Shows the codes that are not GS1 or EAN/UPC codes. <p>NOTE: Defined code types reduce detection errors.</p>
Number of codes	<ul style="list-style-type: none"> ▪ Setting the maximum number of codes to be read. <p>NOTE: Setting more codes than are available in the image will increase processing time! Defining the evaluation range may be useful.</p>
Quality	<ul style="list-style-type: none"> ▪ Code quality checks enabled / disabled compliant to ISO/IEC 15416. <p>NOTE: Enabling this function will increase calculation time!</p> <p>NOTE: To make any settings regarding minimum quality please use the tool Qualitycheck.</p>
Polarity	<ul style="list-style-type: none"> ▪ Indication whether code to be read is darker or lighter than background.
Region of Interest Limits	<ul style="list-style-type: none"> ▪ Defining a region for evaluation in the image. Only this region is searched for the code. Truncated code is being fully read, if possible.
Timeout	<ul style="list-style-type: none"> ▪ Limitation of processing time for code identification in ms. <p>NOTE: Exceeding the defined calculation time will abort the reading operation. This may either implicate reading of fewer codes than present in the image or not executing any quality check.</p>
Sorting	<ul style="list-style-type: none"> ▪ Defines the reading direction in an image. This allows for sorted output if multiple codes are present. ▪ Auto: Attempt of reading the code like a book (line by line from top to bottom or from left to right within a line). Unlike function Left > Right / Top > Down it considers the alignment of all codes. Hence, any twist or slight offset in height will not effect the sorted output.

The following values can be set via the process interface ([Communication: Data telegram](#) [▶ 70](#)):

Input value	Data type	Measurement range	Unit
EnableTimeout	Bool	0 / 1	ms
Maximum number of codes	Integer	1 - 10	-
Polarity	Text	Any	-

Input value	Data type	Measurement range	Unit
		DarkOnBright BrightOnDark	
Presets	Text	Standard Robust	-
Quality	Text	ISO 15416	-
Sorting	Text	Disabled AutoLeftRightTopDown LeftRightTopDown LeftRightDownTop	-
Timeout	Integer	1 - 2000	ms
TypesEanUpc	Text	EAN-13 Add-On 5 EAN-13 Add-On 2 EAN-13 UPC-A Add-On 5 UPC-A Add-On 2 UPC-A EAN-8 Add-On 5 EAN-8 Add-On 2 EAN-8 UPC-E Add-On 5 UPC-E Add-On 2 UPC-E	-
TypeGS1	Text	GS1 DataBar Omnidir GS1 DataBar Truncated GS1 DataBar Stacked GS1 DataBar Stacked Omnidir GS1 DataBar Limited GS1 DataBar Expanded GS1 DataBar Expanded Stacked GS-128	-
TypesOthers	Text	2/5 Interleaved 2/5 Industrial Code 128 Code 93 Code 39 Code 39 Extended Codabar MSI	-

Input value	Data type	Measurement range	Unit
		Pharmacode	
UseSelection	Bool	0 = searching for all codes 1 = Selection of specific codes	-

The process interface is capable of reading the following values:

Output value	Data type	Measurement range	Description
Parameter Data			
EnableTimeout	Bool	see above	see above
Maximum number of codes	Integer		
Polarity	Text		
Presets	Text		
Quality	Text		
Sorting	Text		
Timeout	Integer		
TypesEanUpc	Text		
TypeGS1	Text		
TypesOthers	Text		
UseSelection	Bool		
Result Data			
Code	Text	-	Read code
Code type	Text	see above	Read code type
Quality	Text	-	-
CenterX	Integer	-	Code center in X direction
CenterY	Integer	-	Code center in Y direction
Orientation	Float-Point	-	Angular range

8.4.1.3 Measuring tool: Matrix code

This tool is for reading matrix codes. Furthermore, the code reading quality can be specified compliant to ISO/IEC 15415.



INFO

Where it comes to reading several matrix codes of different types, individually parameterized tools may speed up things.

Image source	<ul style="list-style-type: none"> ▪ Image 1
Code types	<ul style="list-style-type: none"> ▪ All: image is searched for all readable matrix codes. ▪ List: : Shows a list of matrix codes for selection. <ul style="list-style-type: none"> ▪ GS1: Shows a list of GS1 codes. ▪ Misc: : Shows the list of codes that are not GS1 codes. <p>NOTE : Specifying a code type will reduce error identifiers and processing time.</p>
Number of codes	<ul style="list-style-type: none"> ▪ Defines the maximum number of codes to be read in an image. <p>NOTE: Setting more codes than are available in the image will increase processing time! Therefore, defining a region for evaluation makes sense.</p>
Quality	<ul style="list-style-type: none"> ▪ Code quality checks enabled / disabled compliant to ISO/IEC 15416. <p>NOTE: Quality checks are only performed if the code with its light margin is completely visible in the image, otherwise F is output even if the code content is readable. Enabling this function will increase processing time!</p>
Region of Interest Limits	<ul style="list-style-type: none"> ▪ Defining a region for evaluation in the image. Only this region is searched for the code. Truncated code is being fully read, if possible.
Timeout	<ul style="list-style-type: none"> ▪ Limits the calculation time for code identification in ms. <p>NOTE: Exceeding the defined calculation time will abort the reading operation. This may either implicate reading of fewer codes than present in the image or not executing any quality check.</p>
Sorting	<ul style="list-style-type: none"> ▪ Defines the reading direction in an image. This allows for sorted output if multiple codes are present on the image. ▪ Auto: Attempt of reading the code like a book (line by line from top to bottom or from left to right within a line). Unlike function Left > Right / Top > Down it considers the alignment of all codes. Hence, any twist or slight offset in height will not effect the sorted output.
Parameter Set	<ul style="list-style-type: none"> ▪ Setting the robustness of the code detection. <ul style="list-style-type: none"> ▪ Standard ▪ Robust ▪ Maximum <p>NOTE: Enabling this function will increase calculation time!</p>

The following values can be set via the process interface ([Communication: Data telegram](#) [▶ 70](#)):

Input value	Data type	Measurement range	Unit
EnableTimeout	Bool	0 / 1	-
Maximum number of codes	Integer	1 - 10	-
Presets	Text	Standard Robust Maximum	-
Quality	Text	ISO/IEC 15415	-
Sorting	Text	Disabled AutoLeftRightTopDown LeftRightTopDown LeftRightDownTop RightLeftTopDown RightLeftDownTop TopDownLeftRight TopDownRightLeft DownTopLeftRight DownTopRightLeft	-
Timeout	Integer	1 - 2000	ms
TypeGS1	Text	GS1 DataMatrix GS1 QR Code GS1 Aztec Code GS1 DotCode	-
TypesOthers	Text	Data Matrix ECC 200 QR Cod Micro QR Code Aztec Code DotCode PDF417	-
UseSelection	Bool	0 = searching for all codes 1 = Selection of specific codes	-

The process interface is capable of reading the following values:

Output value	Data type	Measurement range	Description
Parameter Data			
EnableTimeout	Bool	see above	see above
Maximum number of codes	Integer		
Polarity	Text		

Output value	Data type	Measurement range	Description
<i>Presets</i>	Text		
<i>Quality</i>	Text		
<i>Sorting</i>	Text		
<i>Timeout</i>	Integer		
<i>TypesEanUpc</i>	Text		
<i>TypeGS1</i>	Text		
<i>TypesOthers</i>	Text		
<i>UseSelection</i>	Bool		
Result Data			
<i>Code</i>	Text	-	Read code
<i>Code Typ</i>	Text	see above	Read code type
<i>Quality</i>	Text	-	-
<i>CenterX</i>	Integer	-	Code center in X direction
<i>CenterY</i>	Integer	-	Code center in Y direction
<i>Orientation</i>	Float-Point	-	Angular range

8.4.1.4 Auxiliary tool: Code Check

You can use the measurement tool to compare values from two input sources. Codes read by the sensor as well as an individually expected value can be selected as input sources.

Auxiliary Tool Comparison	<p>NOTE: Auxiliary tools can only use previously parameterized measuring tools as input source.</p> <ul style="list-style-type: none"> ▪ Input source 1: Selection of first input source. Selection enabled if measuring tool has been parameterized. ▪ Comparison type: definition of a criterion for the comparison of both input sources. <ul style="list-style-type: none"> ▪ is equal ▪ is not equal ▪ contains ▪ not contains ▪ begins with ▪ not begins with ▪ ends with ▪ not ends with ▪ Input source 2: Selection of second input source. Selection enabled if measuring tool has been parameterized.
Compare value	<ul style="list-style-type: none"> ▪ Definition of the expected value. Default value entry may use the following formats: <ul style="list-style-type: none"> ▪ ANSI ▪ Raw data (Hex) ▪ UTF8

The following values can be set via the process interface ([Communication: Data telegram](#) [▶ 70](#)):

Input value	Data type	Measurement range	Unit
Comparison type	Text	IsEqual IsNotEqual Contains NotContains BeginsWith NotBeginsWith EndsWith NotEndsWith	-
expected value	Characteristic		-
Input source 1	Text	None Barcode 1 – Code 1 Matrixcode 1 – Code 1 ExpectedCode	-
Input source 2	Text	None Barcode 1 – Code 1 Matrixcode 1 – Code 1 ExpectedCode	-

The process interface is capable of reading the following values:

Output value	Data type	Measurement range	Description
Parameter Data			
Comparison type	see above	see above	see above
expected value			
Input source 1			
Input source 2			
Result Data			
Is Pass	Bool	— = cannot be evaluated 0 = invalid 1 = valid	-

8.4.1.5 Auxiliary tool: Quality Check

Auxiliary tool can be used to determine the quality of one or more codes that have been read.

Auxiliary Tool Quality	<p>NOTE: Auxiliary tools can only use previously parameterized measuring tools as input source.</p> <ul style="list-style-type: none"> ▪ Input source selection of the code to be evaluated <ul style="list-style-type: none"> ▪ All 1D-Codes - Code Qualities: every 1D code (barcode) found is checked and the set Minimum quality is applied to the worst. ▪ All 2D-Codes - Code Qualities: every 2D code (matrix code) is checked and the set Minimum quality is applied to the worst. ▪ Checks a specific parameterized measuring tool. ▪ Minimum quality selection of the quality level <ul style="list-style-type: none"> ▪ Quality level A - very good ▪ Quality level B - good ▪ Quality level C - satisfactory ▪ Quality level D - sufficient ▪ Quality level F - fail <p>Annex: Quality features for barcode and matrix code [▶ 68]</p>
-------------------------------	--

The following values can be set via the process interface ([Communication: Data telegram \[▶ 70\]](#)):

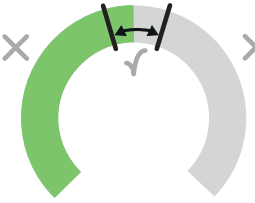
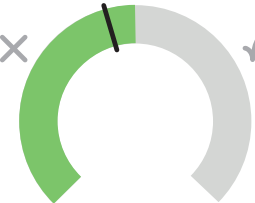
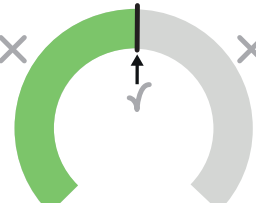
Input value	Data type	Measurement range	Unit
Minimum quality	Text	QualityLevelA QualityLevelB QualityLevelC QualityLevelD QualityLevelE QualityLevelF	-
Selected code	Text	None All1DCodeQualities All2DCodeQualities parameterized tool	-

The process interface is capable of reading the following values:

Output value	Data type	Measurement range	Description
Parameter Data			
Minimum quality	see above	see above	see above
Selected code			
Result Data			
Is Pass	Bool	— = cannot be evaluated 0 = invalid 1 = valid	-

8.4.1.6 Auxiliary tool: Length check

Auxiliary tool can be used to check the length (number of digits read, including spaces) of a read code in relation to a defined value range, threshold value or target value.

Auxiliary Tool Length Check	NOTE: Auxiliary tools can only use previously parameterized measuring tools as input source.		
	<ul style="list-style-type: none"> ▪ Input source: selection of the code to be checked. ▪ Compare type: selection of the criterion to be evaluated. 		
	Range: the length of the read code must be within the set minimum and maximum limits.	Threshold: the length of the read code must be greater than or equal to the set threshold.	Setpoint: the length of the read code must correspond to the set target.
			
<ul style="list-style-type: none"> ▪ Compare Value: Setting the respective values. <ul style="list-style-type: none"> ▪ Invert: invert the settings. ▪ Teach: automatic adjustment of the compared values. 			

The following values can be set via the process interface ([Communication: Data telegram \[▶ 70\]](#)):


Input value	Data type	Measurement range	Unit
CompareLength	Integer	0 - 8192, depending on the source	-
Compare type	Text	Range Threshold Setpoint	-
Invert	Integer	0 = Inversion disabled 1 = Inversion enabled	-
MaximumLength	Integer	8192, depending on source	-
MiniumLength	Integer	0	-
ValueSource	Text	selected source	-

The process interface is capable of reading the following values:

Output value	Data type	Measurement range	Description
Parameter Data			
CompareLength	see above	see above	see above
Vergleichstyp			
Invert			
MaxiumLength			
MinimumLength			
ValueSource			

Output value	Data type	Measurement range	Description
Result Data			
<i>Is Pass</i>	Bool	— = cannot be evaluated 0 = invalid 1 = valid	-
<i>Length</i>	Integer	depending on source	Number of digits in the code

Also see about this

 [Annex: Quality features for barcode and matrix code \[▶ 68\]](#)

8.4.1.7

Annex: Quality features for barcode and matrix code

Various code types provide numerous quality features described in more detail in the following.

Please note that these standards define lighting arrangement and image quality requirements, reason why the found values cannot directly be mapped to every installation situation.

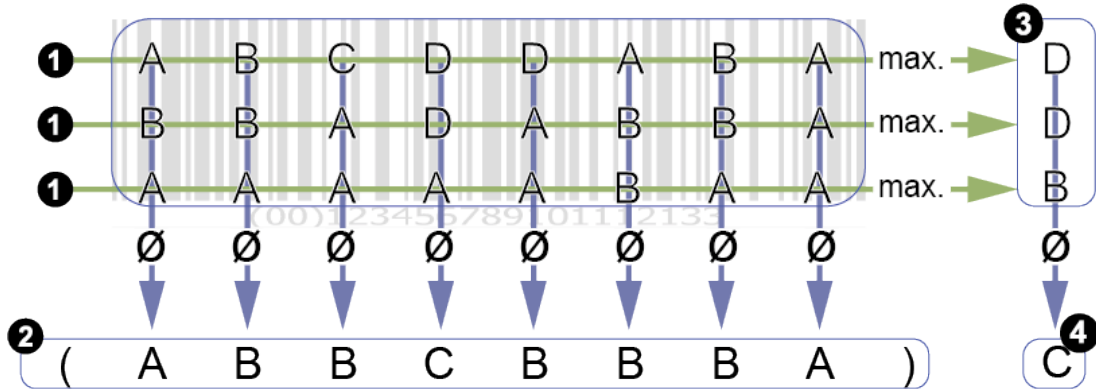
Barcode quality features (ISO/IEC 15416)

Denotation	Description
Readability	A = Code readable / F = Code not read
Symbol contrast	Difference between maximum and minimum symbol gray values
Minimum reflection value	A = minimum gray value $\leq 0.5 \cdot$ maximum gray value F = otherwise
Edge contrast	Minimum contrast between two symbol elements
Modulation	Amplitude between symbol elements
Defects	Irregularities in the gray value profile of a symbol
Capability of decoding	Deviation in width of symbol elements
Other code-specific parameters	Depending on the code type, e.g. evaluation of light margin width, symbol width ratio, etc.

Determining the barcode quality

Several search beams (1) scan the barcode for evaluation of the above defined quality features. The average quality of same characteristics of all search beams is determined and output (2).















Furthermore, the worst rated (3) quality feature for each search beam is identified, building the average for output as overall quality (4).




The overall quality of a barcode may be inferior to that of individual quality features. The reason for this is that the worst individual scores (3) are included in the overall rating in each case. Evaluation of quality features (2) does not map the overall quality.

Individual values of search beams rated very poor will entail poor overall quality, though individual quality features may not be rated worse.

Quality features DataMatrix (ECC200) and QR Code (ISO/IEC 15415 + AIM DPM-1-2006)

Denotation	Example	Description
Contrast	 	Difference between the modules' maximum and minimum gray values.
Modulation	 	Amplitude between data code modules .(Depending on error correction!)
Damage to pattern	 	Incompliant frame pattern finder pattern().
Readability	 	A = Code readable F = Code was not read
Axial non-conformity	 	Evaluation of module width and height.
Grid non-consistency	 	Evaluation of the tilt angle (perspective distortion).
Unused error correction	 	Proportion of unused error redundancy.

Denotation	Example	Description
Gray value of bright modules		Average gray value of all light modules of the DataMatrix or QR code. Gray value / evaluation 0,7 .. 0,86 / A 0,86 .. 1,0 / B 0,55 .. 0,7 / B 0,4 .. 0,55 / C 0,25 .. 0,4 / D 0 .. 0,25 / F

Quality features PDF 417 (ISO/IEC 15415)

Denotation	Description
Reflective properties Start-/Stop-Pattern	Evaluation of reflection properties and line widths of start-stop pattern
Percentage of decoded code words	Relative proportion of decoded code words
Unused error correction	Proportion of unused error redundancy
Modulation	Amplitude between symbol modules
Capability of decoding	Deviation in width of symbol elements
Defects	Scan profile irregularities within modules

8.4.2 Mode Parameterization Communication

8.4.2.1 Communication: Data telegram

In mode **communication Data Telegram**, **Data Input** and **Data Output** are parameterized via the process interface, see [Interfaces and protocols \[▶ 20\]](#).

The sensor can output data via the process interface (**Data Output**) or enables reparameterization during runtime (**Data Input**). For doing so, one **Data Telegram** can be configured to **Data Input / Data Output**. Data telegrams are organized in data blocks and separated with **Separator**. Depending on the selected process interface, a **Data Telegram** also has a defined start (header) and a defined footer (**Line ending**).



INFO

For data telegram configuration, first some of the features to be controlled/retrieved (e.g. expected code value or read code) must be created via the web interface. Image acquisition parameters (e.g. the exposure time) are immediately available for data telegram configuration.

[Mode Parameterization Tools \[▶ 55\]](#)

The desired function (**Data Input / Data Output**) is selected in the upper area. General settings for data telegram configurations are performed in the left area.

The center area defines data block contents.

The lower preview area shows how data telegrams are input or output via the process interface. The preview may differ according to the selected protocol.

III. 10: Data telegram communication

<p>General settings</p>	<ul style="list-style-type: none"> ▪ Separator: Character string that stands as a separator between each transmitted value (e.g. ,). ▪ Line ending: footer or end identifier of the data stream <ul style="list-style-type: none"> ▪ <LF> ▪ <CR> ▪ <CR><LF>
<p>Number format</p>	<ul style="list-style-type: none"> ▪ Encoding: encoding for the data to be transmitted ASCII / Binary). <p>INFO: The following setting options differ depending on the selected data encoding..</p> <p>Encoding: ASCII</p> <ul style="list-style-type: none"> ▪ Numeric base: Number system for data transmission <ul style="list-style-type: none"> ▪ Hex lower case: Hexadecimal with lowercase letters ▪ Hex upper case: Hexadecimal capital letters ▪ Decimal: Decimal numbers ▪ Decimals: value is round to set decimal digit (0-4) ▪ Decimal sign: separates the digits before and after the decimal point (Dot / Comma) <p>Encoding: Binary</p> <ul style="list-style-type: none"> ▪ Global data type:: Defines the total of bytes per number <ul style="list-style-type: none"> ▪ Int32 (4 bytes, signed) ▪ UInt32 (4 bytes, non-signed) ▪ Int64 (8 bytes, signed) ▪ UInt64 (8 bytes, non-signed) ▪ Float (4 bytes, signed) ▪ Double (8 bytes, signed) ▪ Byte order: Byte reading direction <ul style="list-style-type: none"> ▪ little-endian (reading from right to left) ▪ big-endian (reading from left to right)

Numeric width	<p>INFO: Function only available with data encoding ASCII .</p> <p>Enable / disable fix number width.</p> <ul style="list-style-type: none"> ▪ Global width: : Number selection (0-16). ▪ Padding:: If the value to be transmitted is inferior to the defined Global width the remaining space will be filled by the selected characters. <ul style="list-style-type: none"> ▪ Zero ("0") ▪ Empty space (" ") ▪ Alignment: : Position of the value to be transferred within the number. <ul style="list-style-type: none"> ▪ left aligned ▪ right aligned (only for selected Padding Empty space (" "))
Text width	<ul style="list-style-type: none"> ▪ Padding: Specification of a fill character. ▪ Alignment: Position of the value to be transmitted within the text. <ul style="list-style-type: none"> ▪ left aligned ▪ right aligned <p>INFO: setting Local width is made in the data block of the data telegram!</p>

Preview:	Preview Data Telegram as human readable text.
Data:	Preview Data in hexadecimal.
Length:	<p>Length Data Telegram in bytes.</p> <p>INFO: When using the TCP protocol, Data Telegram must not exceed 4096 bytes..</p> <p>Applied PROFINET protocol allows for a length of 8 - 240 bytes, according to PLC configuration.</p>

8.4.2.2 Communication: Digital output

In mode **Digital Output**, you can allocate the sensor outputs the corresponding actions. At left, each output has its own panel.



INFO

Settings for **Digital Inputs** are performed in menu item **Device Configuration**.

Switching output	<ul style="list-style-type: none"> ▪ Select output assignment. <ul style="list-style-type: none"> ▪ Disabled ▪ Pass: is output if all measurement results are pass. ▪ Fail: is output if a measurement result is Fail. ▪ Result Valid: is output when all other results were output by the remaining outputs. This allows for controlling the point in time of result acquisition, e.g. by PLC. Duration should inferior to the Duration of the other outputs. ▪ Trigger Ready: is output if device is ready for another trigger. ▪ Alarm: is output in the event of an alarm. ▪ Device Ready: is output when device is ready for operation after startup. The output remains permanently active. ▪ Measuring tool: Pass ▪ Measuring tool: Fail
Limit output duration	<ul style="list-style-type: none"> ▪ Activation/deactivation of limited output time. <ul style="list-style-type: none"> ▪ Duration: Output time of the selected signal in ms.
Polarity	<ul style="list-style-type: none"> ▪ Select output polarity (output level). <ul style="list-style-type: none"> ▪ Active High ▪ Active Low

8.4.3 Job mode

Job mode is for job management at the sensor. Up to 32 jobs can be stored on the sensor. Furthermore, the job to be executed at start up can be defined.

There is also the option to export and import all jobs in one file.

Import/export	<ul style="list-style-type: none"> ▪ Start with Setup: Selects the job to be executed at startup. <p>NOTE: Sensor start up is with the job defined here. When working with a PLC, the PLC may envisage another job at startup. In this case, create a job with only the image settings (trigger mode: single measurement).</p> <ul style="list-style-type: none"> ▪ Import / Export: Import / Export all jobs in one file. External saving is a file including the packed and encoded jobs. This file can be imported if the sensors are identical.
Save as Job Setup	<ul style="list-style-type: none"> ▪ Save: Saves current job to the next free memory location (1 - 32). In parallel, this job will be active at sensor startup. <p>NOTE: Saving to a specific memory location is via the menu of the desired memory location.</p> <ul style="list-style-type: none"> ▪ Delete all: Delete all saved jobs. ▪ List of all saved jobs / memory locations with the following functions for each job via menu item: <ul style="list-style-type: none"> ▪ Save ▪ Rename ▪ Reset ▪ Delete ▪ Import ▪ Export

8.5 Device configuration mode

Device-specific settings can be made in **Device Configuration** mode.

Sensor Info	<p>Show the sensor characteristics. Please pass on this information in a service case.</p> <ul style="list-style-type: none"> ▪ Sensor Type: Shows the sensor type. ▪ Serial Number: Shows the sensor serial number. ▪ Vendor Name: Shows the sensor manufacturer. <p>NOTE: MAC address and production date please are seen on the sensor label.</p>
Sensor	<ul style="list-style-type: none"> ▪ Pointer: Enable / disable projection of optical test result (red/green) on the control surface. Provides remarks for code positioning without camera image. ▪ Display: Enable/ disable display at sensor. ▪ Luminous ring: Enable / disable the luminous ring at the sensor.
Network	<p>Settings for sensor Ethernet connection.</p> <ul style="list-style-type: none"> ▪ IP Address: setting of IP address in the IPv4 address range. <p>IPv4 address range</p> <p>10.0.0.0 – 10.255.255.255</p> <p>172.16.0.0 – 172.31.255.255</p> <p>192.168.0.0 – 192.168.255.255</p> <ul style="list-style-type: none"> ▪ Subnet Mask: input subnet mask ▪ Standard Gateway: input Standard Gateway ▪ MAC Address: display of the MAC address of the sensor ▪ DHCP: activate / deactivate DHCP <p>INFO: The IP address for a connection via USB is 169.254.2.1 and cannot be edited. The values displayed here refer to a connection via Ethernet.</p>
FTP	<p>Using the FTP / SFTP function you can save selected images to the FTP server.</p> <p>INFO: To this end, the device must have read, write and delete FTP server rights. Furthermore, device and FTP server must be in the same subnet. In order to use SFTP, the FTP server must support encryption.</p> <ul style="list-style-type: none"> ▪ Connection <ul style="list-style-type: none"> ▪ Protocol: FTP (unencrypted data transfer) / SFTP (encrypted data transfer) ▪ Server: IP address of FTP server ▪ Port: port number of FTP server ▪ User Name user name for FTP access ▪ Password password for FTP access ▪ Test connection test the entered access data ▪ Image Backup

	<ul style="list-style-type: none"> ▪ Type: pass only = images with overall result Pass / Fail only = images with overall result Fail / Pass and Fail = all images ▪ Image format: select image file format (BMP / PNG) ▪ Image resolution: image resolution (full / reduced = 2x2 binning) ▪ Destination Path: image directory on FTP server ▪ Name of Image Series: Name of image series ▪ Number limitation: if enabled, once the defined number of saved images has been reached, previous images will be overwritten ▪ Number: limit the total of saved images ▪ Image Name Entry Edit the image naming structure <ul style="list-style-type: none"> - Name of Image Series: defined name (limited image number) - Image Number: consecutively assigned image number (limited image number) - Result : evaluation result (optional if ring buffer is enabled) - Job Name : job name (if image number is not limited) - Job Number : njob number (if image number is not limited) - TriggerData: secondary image data transferred using command <i>TD</i> (if image number is not limited) ▪ Image Name Preview:preview of the configured file name
<p>Process Interface</p>	<p>Enable/disable process interfaces. If disabled, the sensor will no longer respond to requests transmitted via this protocol.</p> <ul style="list-style-type: none"> ▪ Protocol: <ul style="list-style-type: none"> ▪ TCP: enable/ disable. Communication parameter settings (Port, Receive Timeout, Alive Timeout). ▪ Profinet IO: : Enable / disable sensor integration into PLC projects requires installing a product specific driver (GSD file). This file is available straight by the device. ▪ USB-HID: enable / disable. The device will act as keyboard. The configured Data Telegram is output via the USB interface and can be evaluated by a connected system like a keyboard entry. Setting of keyboard layout (German/English). Selecting the point in time for data output. After result change (changed or successfully read code) or All read codes. Furthermore, a waiting time in ms can be set, defining the waiting time prior to output of the next result. <p>INFO: Once saved to the sensor, device connection via web interface via USB is no longer possible.</p> <p>INFO: After sensor restart, it may take some time until the connected system (e.g. PC) has fully established the</p>

	<p>sensor's HID keypad. Therefore, the PC will not receive resp. ignore any data telegrams transmitted during this time.</p>
Digital Inputs	<p>Sensor digital input settings.</p> <ul style="list-style-type: none"> ▪ Input switch: setting the respective input function <ul style="list-style-type: none"> ▪ Disabled ▪ Trigger ▪ Job selection (switchover only in mode Monitoring) ▪ Polarity: Polarity settings of the respective input.
System	<ul style="list-style-type: none"> ▪ Security <ul style="list-style-type: none"> ▪ Password Protection: Enable / disable password protection for mode Parametrization . ▪ Backup & Restore: Complete sensor backup respectively restore, including jobs and firmware. ▪ Web Interface: Show version of web interface software / licenses, and firmware-independent updates. Upload of more recent firmware revisions to the sensor is feasible, provided compatibility is not excluded by release notes. Also possible is Downgrade. However, only up to the revision with which the sensor was delivered. ▪ Firmware: Show firmware and update version <ul style="list-style-type: none"> ▪ Upload image: upload firmware incl. web interface to the sensor. It is possible to install a more recent revision of the firmware on the sensor, as long as the compatibility of the firmware is not excluded by the release notes. Downgrade is also possible. However, only down to the firmware revision the sensor was supplied with. ▪ Settings Reset: Reset of the sensor settings. This operation will not reset the network settings. ▪ Factory Reset ▪ Reboot Sensor

8.6 Diagnostic data mode

This mode provides diagnostic data such as **Temperature**, **Auto focus cycles** and **operating time**. Display refresh is every 2 seconds. The values can be exported as a .csv file via the button.

General Overview

Temperature	<ul style="list-style-type: none"> Current sensor temperature.
Auto focus cycles	<ul style="list-style-type: none"> Counts of performed Auto focus cycles. <p>NOTE: Counting the focus cycles considers autofocus and manual focus.</p> <p>Autofocus: Every autofocus performed will increase the count by one.</p> <p>Manual focus: Every other manually performed focus operation will crease the count by one.</p>
Up time	<ul style="list-style-type: none"> Provides of the operating time since switch-on.
Total up time	<ul style="list-style-type: none"> Provides the total operating time.
Export diagnostic data	<ul style="list-style-type: none"> Saving the current data records as a .csv file.

Temperature (since Power-On)

Display is as curve diagram together with the minimum and maximum values.

Maximum	<ul style="list-style-type: none"> Maximum temperature ever since sensor power up.
Minimum	<ul style="list-style-type: none"> Minimum sensor temperature ever since sensor power up.
Alarm limit	<ul style="list-style-type: none"> Reaching this temperature will output an alarm.
Warning limit	<ul style="list-style-type: none"> Reaching this temperature will output a warning.

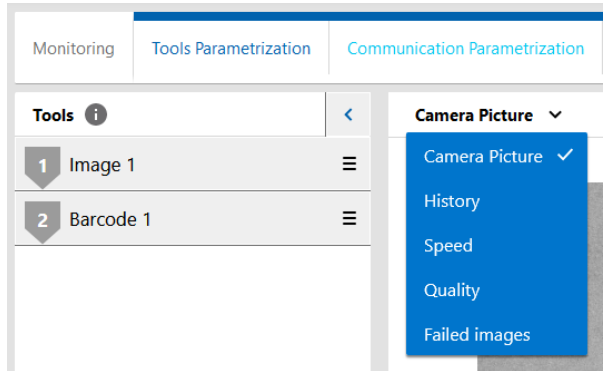
Temperature (Lifetime)

Display is by frequency distribution diagram together with the minimum and maximum values. The display is scalable.

Maximum	<ul style="list-style-type: none"> Maximum sensor temperature ever.
Minimum	<ul style="list-style-type: none"> Minimum sensor temperature ever.
Scale values	<p>Display scaling in the diagram:</p> <ul style="list-style-type: none"> absolute logarithmic normalized

8.7 Statistical functions

For job analysis and evaluation, modes **Monitoring**, **Tools Parametrization**, **Communication Parametrization** and **Jobs** provide several statistics functions.





INFO

In mode **Parameterization Communication | Data telegram** statistic functions are not available.

Camera Picture	Shows the sensor's live image.
History	<ul style="list-style-type: none"> ■ Index: Image number ■ Tool: parameterized measuring tool ■ Code: Code numbering a measuring tool in the event of several codes being present on a single image. The order is determined by Sorting during parameterization. ■ Code-Content: content of read code ■ Length: number of characters of the code content (with spaces) ■ Code-Type Code type ■ Quality: Provides the code quality, if enabled in measuring tool ■ Size Reserve: Provides the percentage the code is allowed to be inferior to for being still readable. ■ Position x: code center in X direction ■ Position y: code center in Y direction ■ Rotation: code shift towards X-axis
Speed	<ul style="list-style-type: none"> ■ Tool: parameterized measuring tool or job ■ Current: currently required processing time for measuring tool ■ Minimum: minimum processing time required by measuring tool ■ Average average processing time required by measuring tool ■ Maximum: maximum processing time required by tool
Quality	<ul style="list-style-type: none"> ■ Tool: parameterized job ■ Read: successfully read jobs ■ Unread: jobs not read ■ Read Rate: success rate in %
Failed images	<ul style="list-style-type: none"> ■ Show / save failed images (max. 16)

The following functions are available.

	Display refresh NOTE: Pausing is required for refresh.
	Saves current data records as a .csv file or respectively marked failed images as a .bmp file. NOTE: Pausing is required to enable saving of data records.
<	Select previous image (only failed images)
>	Select next image (only failed images)

9 Maintenance

The sensor is maintenance-free. No special preventive maintenance is required. Regular cleaning and visual inspection of the plug connections are recommended.

9.1 Cleaning the sensor

External cleaning

When cleaning the exterior of the sensor, make sure to use cleaning agents that do not affect the housing surface and seals.

NOTICE

Material damage due to improper cleaning.

Unsuitable cleaning agents and methods can cause leaks and damage the sensor, the seals or the connections.

- a) Always check the suitability of the cleaning agent for the surface to be cleaned.
 - b) Use alcohol-based cleaning agents but never any scouring agents, solvents or other aggressive cleaning agents.
 - c) Never use a high-pressure cleaner for cleaning.
 - d) Do not scrape off soiling with sharp-edged items.
 - e) Only use lens cleaning cloths for the front pane of the sensor.
-

Interior cleaning

No interior cleaning of the sensor is required.

10 Troubleshooting

10.1 Return and repair

In case of complaints, please contact the relevant sales company.

10.2 Support

In case of any questions please contact our Technical & Application Support Center.

Worldwide

Tel.: +49 (0)3528 4386 845

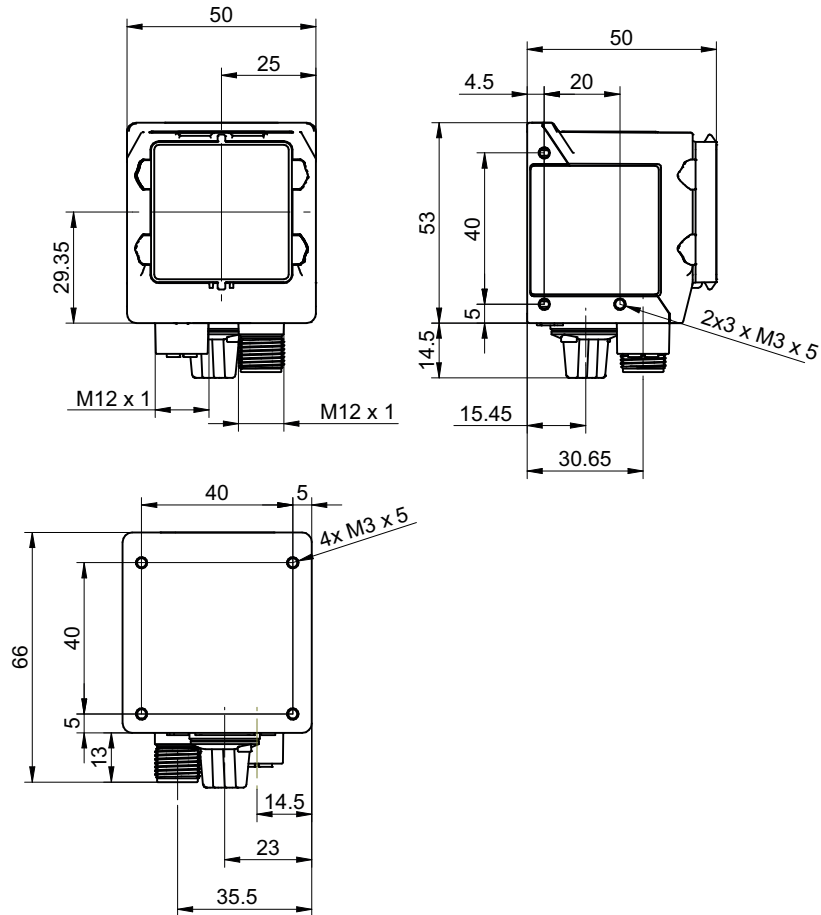
www.baumer.com

support.codereader@baumer.com

11 Technical data

The technical data for your sensor can be found in the data sheet available for download at www.baumer.com.

11.1 Dimensional drawing



III. 11: Dimensional drawing – IDC200

List of illustrations

III. 1	Sensor design	9
III. 2	Functionality	10
III. 3	Web interface – Overview	18
III. 4	Screwing points - rear mount	42
III. 5	Screw-on points - side mounting	42
III. 6	Smart Mounting Kit A	43
III. 7	Polarizing filter snap-on 44 mm (item number: 11704588)	43
III. 8	Web interface - user interface	49
III. 9	Web interface - Monitoring mode	54
III. 10	Data telegram communication	71
III. 11	Dimensional drawing – IDC200.....	83

