

Two-way connector

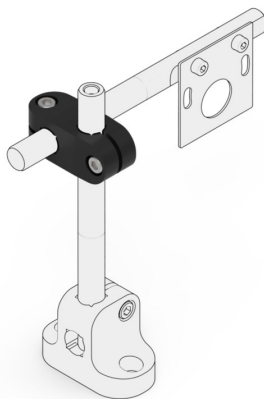
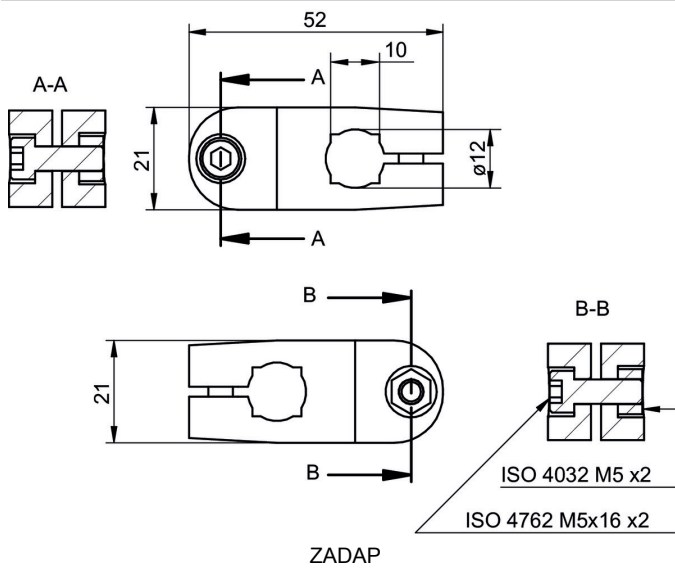
Article number: 11707703

Overview

- Material: Plastic (PA)
- Part of an assembly



Dimension drawing



Assembly drawing