

Torque arm T6

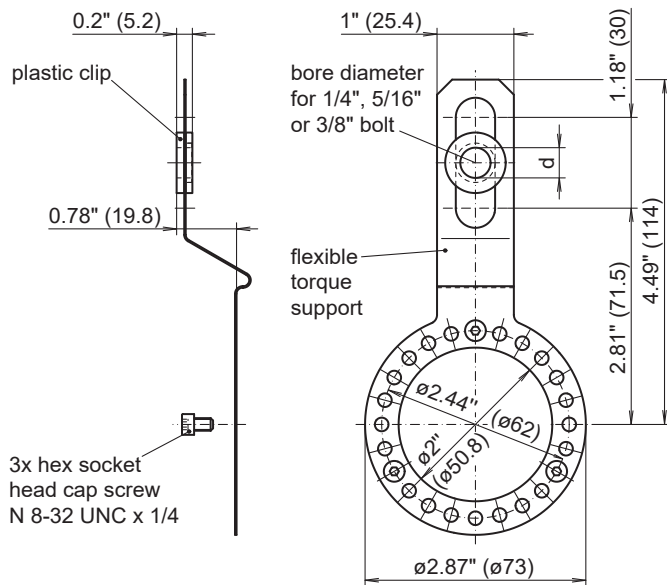
Article number: 11167978

Overview

- Fast and easy mounting on encoder. Prevents against bearing force overload. Flexible orientation of fixing point.
- Adjustable length, kit for bolts 1/4", 5/16" and 3/8" with plastic clip and screws



Dimensions



Tether arm T6