

Torque arm T5

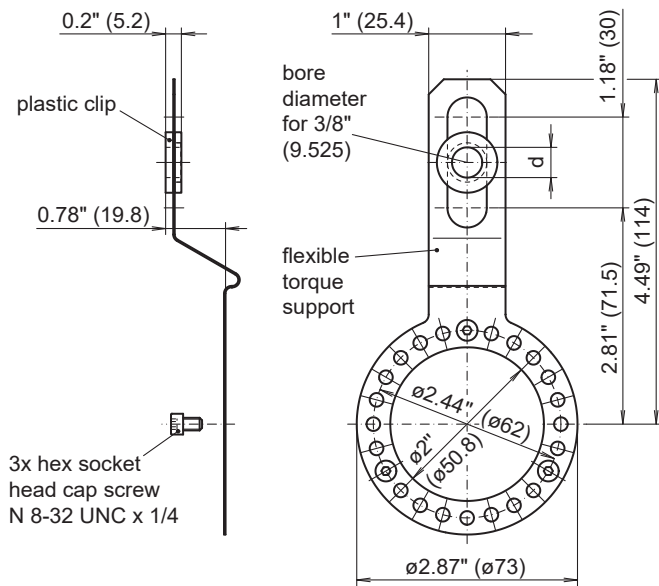
Article number: 11071506

Overview

- Fast and easy mounting on encoder. Prevents against bearing force overload. Flexible orientation of fixing point.
- Adjustable length, for bolt 3/8" with plastic clip and screws



Dimensions



Tether arm T5