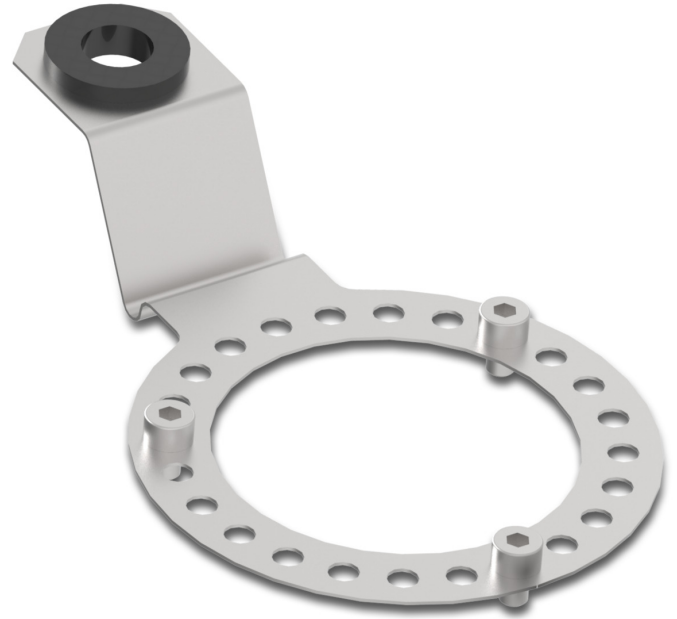


# Torque arm T1

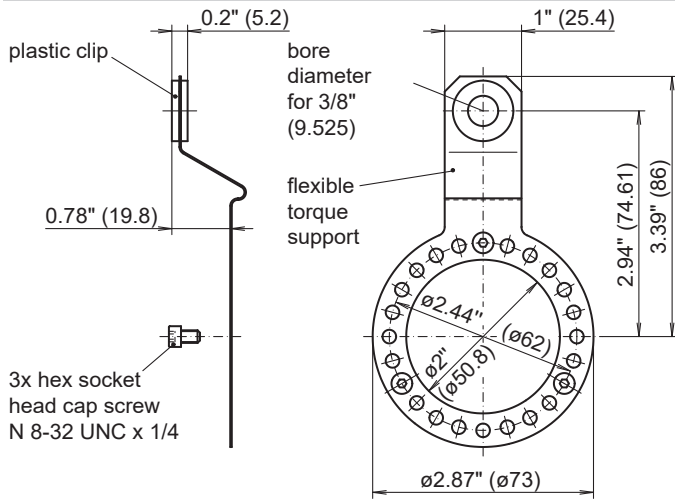
Article number: 11076339

## Overview

- Fast and easy mounting on encoder. Prevents against bearing force overload.
- Fixed length, for bolt 3/8" with plastic clip and screws



## Dimensions



Tether arm T1