

## Torque arm, 1-arm (mounting kit 028)

Bolt circle  $\varnothing 74 \dots 94$  mm, mounting M6

Article number: 11067367

### Overview

- For low-dynamic applications and constant movements



### Technical data

#### Technical data - mechanical design

Weight approx. 10 g

### Description

Torque support onto encoder by help of the attached screws. Push encoder onto the drive shaft and mount torque support onto the client side.

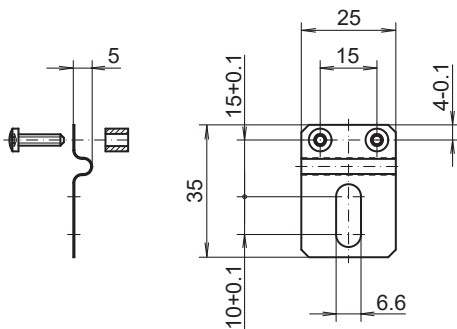
### Scope of delivery

Torque support, two screws M3 x 12 (ISO 14583 - TX10) with two spacers 6 mm

### Suitable for

EIL580-B, EIL580-T, EIL580P-B, EIL580P-T

### Dimensions



### Assembly drawing

