

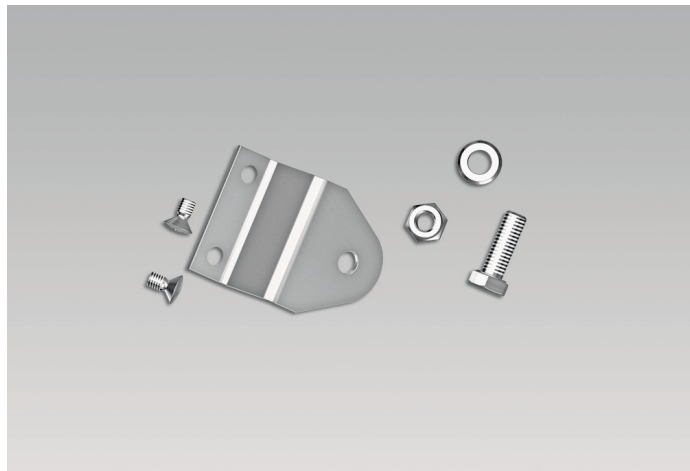
Support plate mounting kit R69 for torque arm size

M6

Article number: 11082676

Overview

Support plate mounting kit R69 to fix a torque arm size M6 at the encoder.



Scope of delivery

1x support plate R69 mm 2x raised countersunk-head screw M4x8, ISO 7047 1x hexagon screw M6x18, ISO 4017 (A2) 1x self-locking nut M6, ISO 10511 (A2) 1x washer A6.4, ISO 7090

Suitable for

HOG 86, HOG 86 M, HOG 86 + FSL, HOG 86 + DSL

Dimensions

