

Spring disk coupling K 60 (shaft $\varnothing 11...22$ mm)

Article number: K 60

Overview

- High quality torsionally stiff and backlash free coupling
- Compensating of mounting errors
- Balanced torsional rigidity (torsional spring constant)
- Additional key possible



Technical data

Technical data

Mounting type	For shaft $\varnothing 11...22$ mm
Operating speed	≤ 12000 rpm
Moment of inertia	$685 \cdot 10^{-3}$ kgcm ²
Torsional rigidity	3600 Nm/rad
Operating torque	≤ 18 Ncm
Maximum torque	34 Nm

Technical data

Admissible axial movement	$\pm 0,7$ mm
Admissible parallel misalignment	$\pm 0,1$ mm
Admissible angular error	$\pm 1^\circ$
Weight approx.	165 g
Material	Spring disks: X12 CrNi 17 7

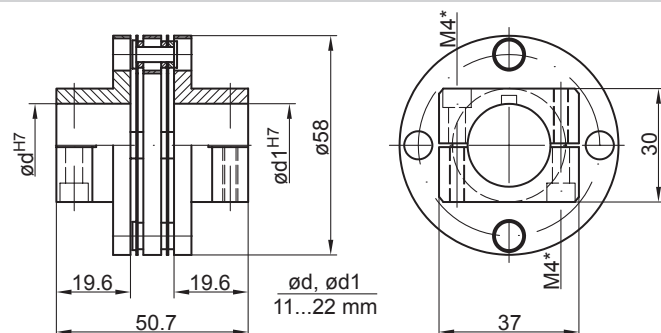
Description

Spring disk coupling, which combines the necessary torsional stiffness with the ability to compensate for axial displacement which occurs especially through heat expansion of the drive and the play backlash of the ball bearings.

Suitable for

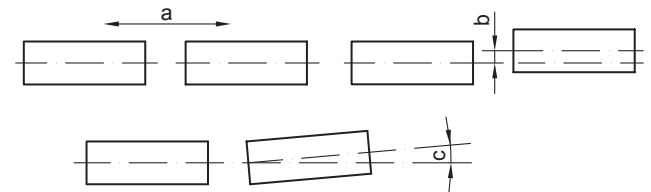
Encoders with solid shaft $\varnothing 11...22$ mm

Dimensions



* Maximum tightening torque:
 $M_t = 1.5$ Nm (plastic side)
 $M_t = 2...3$ Nm (metal side)

Assembly drawing



a = Admissible axial movement
 b = Admissible parallel misalignment
 c = Admissible angular error