

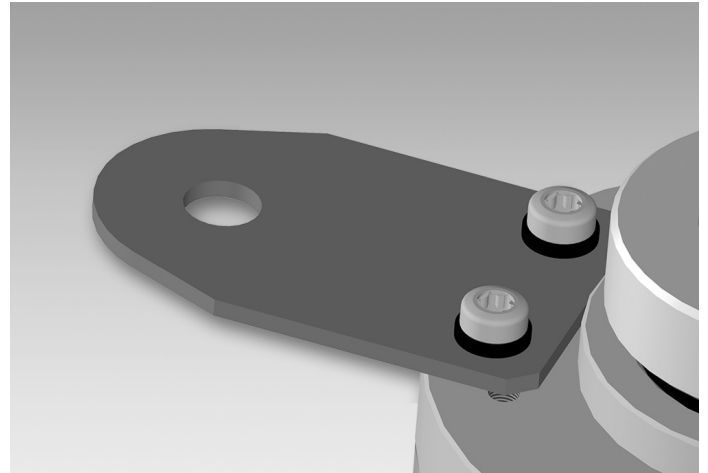
# Rigid mounting plate, 1-arm (mounting kit 099)

Bolt circle  $\varnothing 95$  mm, mounting M6

Article number: 11155325

## Overview

- Rigid mounting plate (1-arm, pitch circle diameter  $\varnothing 95$  mm, mounting M6) with attachment point for Baumer torque arm size M6 (DMS 6)
- Suitable for an electrically isolated mounting.



## Technical data

### Technical data - mechanical design

Weight approx. 11 g

## Description

Mounting plate mount with the screws on the encoder. Torque arm size M6 (DMS 6) mount on the mounting plate. Encoder slide onto the drive shaft and torque arm size M6 mount onto the client side. Clamping ring fastening by the provided screw.

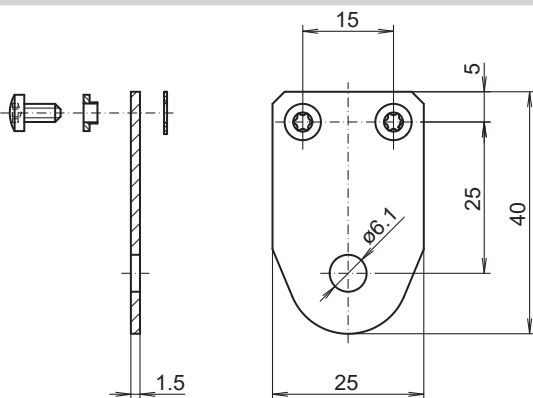
## Scope of delivery

Mounting plate, two screws M3 x 6 (DIN 7985 - TX10) with two electrically insulated discs and insulating sockets.

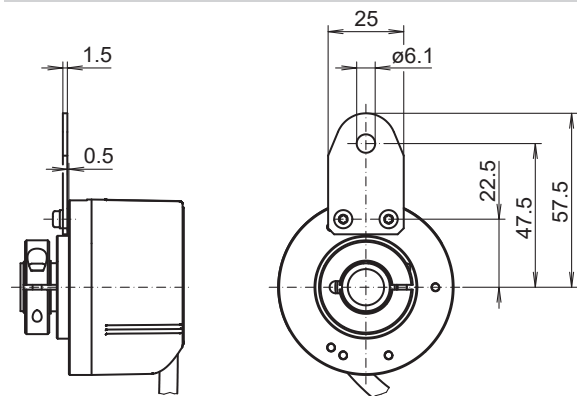
## Suitable for

EIL580-B, EIL580-T, EIL580P-B, EIL580P-T

## Dimensions



## Assembly drawing



## Example with torque arm size M6 (DMS 6)

