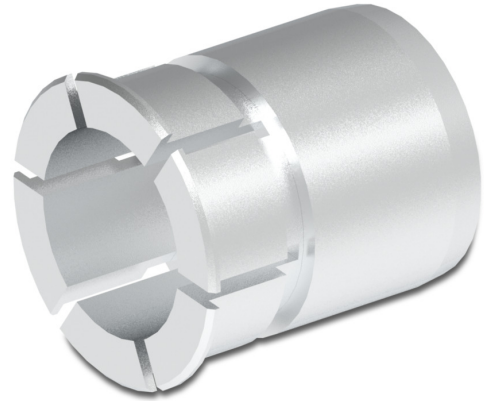


Reducer insert HS35 $\varnothing 0.75''$ ($\varnothing 19.05$ mm)

Article number: 11078639

Overview

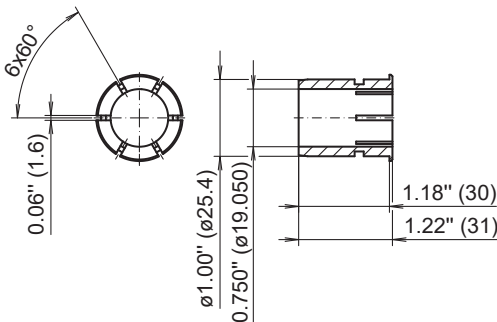
- Easy assembly by plugging in
- Exchange possible without tools
- Quick adjustment of the required diameter
- Suitable for high speeds



Description

Allows the mounting on diameter $\varnothing 0.75''$ ($\varnothing 19.05$ mm) on the motor shaft. Basis for the reducer insert is a hollow shaft diameter of 25.4 mm. Subsequent replacement without tools. Outer diameter: 25.4 mm, Material: Aluminium

Dimensions



ø nominal dimension		tolerance		
inch (in ")	metric (in mm)		inch (in 1/1000")	metric (in µm)
0.750"	19.050	G7	+1.10 +0.28	+28 +7