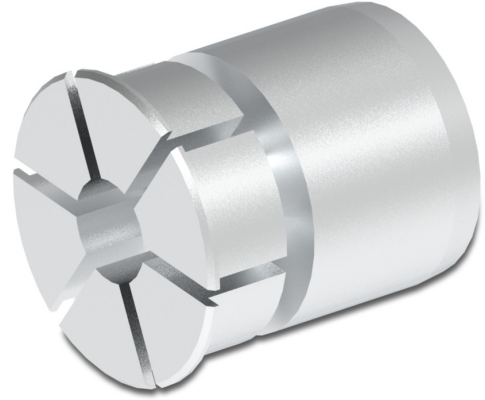


Reducer insert HS35 $\varnothing 0.375''$ ($\varnothing 9.525$ mm)

Article number: 11084462

Overview

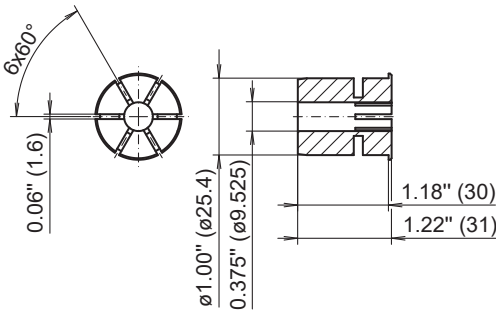
- Easy assembly by plugging in
- Exchange possible without tools
- Quick adjustment of the required diameter
- Suitable for high speeds



Description

Allows the mounting on diameter $\varnothing 0.375''$ ($\varnothing 9.525$ mm) on the motor shaft. Basis for the reducer insert is a hollow shaft diameter of 25.4 mm. Subsequent replacement without tools. Outer diameter: 25.4 mm, Material: Aluminium

Dimensions



\varnothing nominal dimension		tolerance		
inch (in ")	metric (in mm)		inch (in 1/1000")	metric (in μ m)
0.375"	9.525	G7	+0.79 +0.20	+20 +5