

Off-highway ground & crop radar sensor.

Designed for reliability

Radar sensor technology is quickly penetrating the agriculture and off-highway machinery market due to its robust, non-contact measurement and superior crop penetration. Baumer off-highway radar sensors, designed for reliability, improve end customer uptime and productivity. The proven Baumer radar design and full industry compliance reduces R&D cost and time to market.

- 122 GHz band usable in major Ag markets
- Baumer radar signal processing delivers superior crop penetration and ground detection
- Heavy duty connector, lens protection, rectangular flat backside mounting
- Tested according to the highest off-highway industry standards
- Robust against environmental influences such as wind, temperature, humidity
- High pressure wash from all sides



Proven Baumer signal processing for ground and crop distance measurement reduces integration effort

122 GHz design suitable for major Ag markets improves time to market

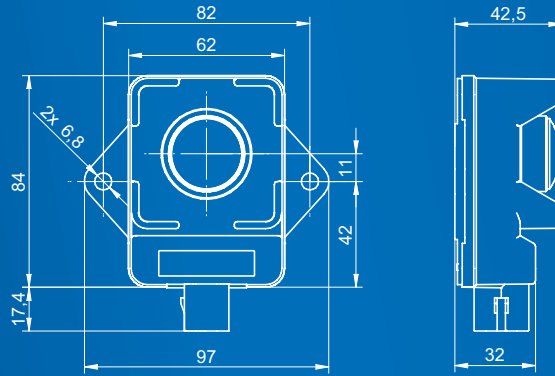
High reliability, automotive grade design and plastic housing reduces sensor fails and warranty issues

Simple and easy design-in due to full industry compliance (EN ISO 14982, ISO 13766, EN13309, EN 61000-6-2, EN 61000-6-3, EN 305550)*

Fully sealed plastic housing and lens protection avoids accidental damage and allows for easy cleaning

* For details refer to the declaration of conformity

Product overview R600V ground & crop radar



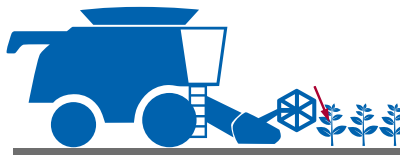
Part number	Electrical specification	Mechanical interface	Ambient conditions	Output function
R600V.DAE0-11188367 Ground / crop distance for general applications*	Supply voltage: 9 V ... 32 V (12 VDC / 24 VDC vehicle power)	Automotive grade plastic flat back housing: 97 mm × 101 mm × 43 mm Matching connector: Ampseal 16 4P (776524-1)	Storage temperature: −40 °C ... +85 °C Operating temperature: −40 °C ... +70 °C	Sensing range: 300 mm ... 5000 mm CAN SAE J1939, 250 kbit/s Ground distance, canopy distance, including confidence values
R600V.DAE0-11209335 Ground / crop distance for sprayer applications*				

* Each application must be validated by the customer. Intellectual property rights may exist for some applications and / or end use cases.

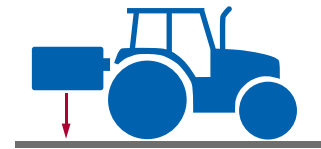
Exemplary application areas for Baumer radar sensors (ground & crop).



Boom height control



Combine header control



Distance to ground



Passion for Sensors

Baumer Group
International Sales
P.O. Box · Hummelstrasse 17 · CH-8501 Frauenfeld
Phone +41 (0)52 728 1122 · Fax +41 (0)52 728 1144
sales@baumer.com · www.baumer.com

Learn more about the Baumer radar sensor at www.baumer.com

Find your local partner: www.baumer.com/worldwide