

## OZDM 16P1901

Diffuse contrast sensors

Article number: 10123266

### Overview

- diffuse contrast sensor
- < 250 mm
- pulsed red laser diode
- PNP / analog 4 ... 20 mA
- potentiometer, 14 turn
- cable 4 pin, 2 m
- -10 ... 50 °C
- IP 67



Picture similar



### Technical data

#### General data

Type	Diffuse contrast sensor
Light source	Pulsed red laser diode
Sensing distance Tw	< 250 mm
Optimum operating distance	40 ... 80 mm
Detectable remission difference (on grey)	> 8 %
Repeat accuracy	< 0.1 mm at laser focus
Output indicator	LED yellow
Sensitivity adjustment	Potentiometer, 14 turn
Laser class	1
Distance to focus	80 mm
Wave length	650 nm

#### Electrical data

Response time / release time	< 0.1 ms
Voltage supply range +Vs	12 ... 30 VDC
Current consumption max. (no load)	65 mA

#### Electrical data

Current consumption typ.	60 mA
Voltage drop Vd	< 2 VDC
Output function	Light operate
Output circuit	PNP / analog 4 ... 20 mA
Output current	< 200 mA
Short circuit protection	Yes
Reverse polarity protection	Yes

#### Mechanical data

Width / diameter	15.4 mm
Height / length	50 mm
Depth	50 mm
Type	Rectangular
Housing material	Die-cast zinc
Front (optics)	Glass
Connection types	Cable 4 pin, 2 m

#### Ambient conditions

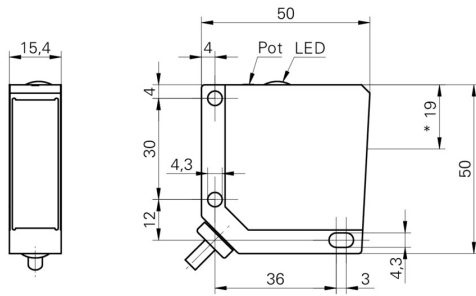
Protection class	IP 67
Operating temperature	-10 ... +50 °C

# OZDM 16P1901

Diffuse contrast sensors

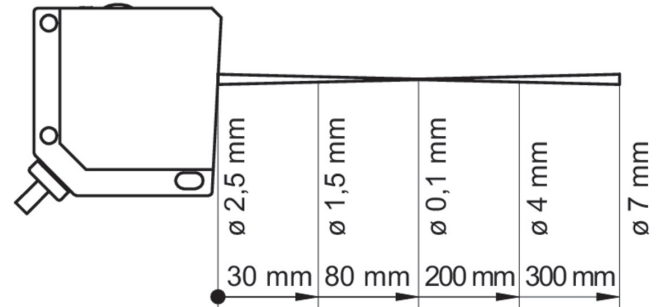
Article number: 10123266

## Dimension drawing



\* emitter axis

## Beam characteristic (typically)



## Laser warning

**CLASS 1 LASER  
PRODUCT**

IEC 60825-1/2014

Complies with 21 CFR 1040.10 and 1040.11 except for conformance with IEC 60825-1 Ed. 3., as described in Laser Notice No. 56, dated May 8, 2019

## Connection diagram

