

Overview

- Most accurate mark or color detection
- RGB LED
- Display for an easy set up
- Static or dynamic teach-in
- Connector rotatable to 5 positions
- Optional lenses for distances up to 40 mm



Picture similar



Technical data

General data

Type	Diffuse contrast sensor
Version	Display Optional color mode
Light source	LED red / green / blue
Sensing distance Tw	9 mm ±3 mm
Power on indication	LED green
Output indicator	LED yellow
Sensitivity adjustment	Teach-in
Distance to focus	9 mm
Wave length	465 nm 520 nm 630 nm
Beam type	Line, vertical
Beam height	1.5 mm
Beam width	5 mm

Electrical data

Response time / release time	< 0.016 ms < 0.1 ms (Color Mode)
Jitter	< 0.016 ms < 0.05 ms (Color Mode)

Electrical data

Voltage supply range +Vs	10 VDC ... 30 VDC
Current consumption typ.	35 mA (@ 24 VDC)
Voltage drop Vd	< 2 VDC
Output function	Light / dark operate
Output circuit	PNP
Output current	< 100 mA
Short circuit protection	Yes
Reverse polarity protection	Yes

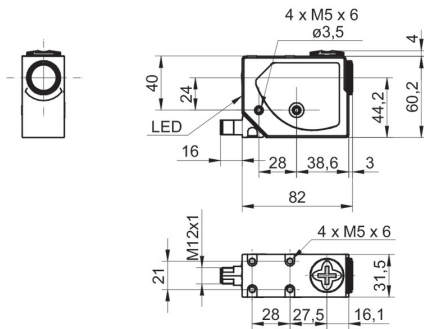
Mechanical data

Width / diameter	31.9 mm
Height / length	60.2 mm
Depth	79 mm
Type	Rectangular
Housing material	Aluminum
Front (optics)	Glass
Connection types	Connector M12 5 pin, rotatable

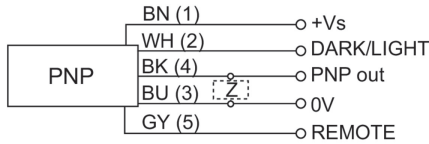
Ambient conditions

Protection class	IP 67
Operating temperature	-10 ... +55 °C
Storage temperature	-20 ... +70 °C

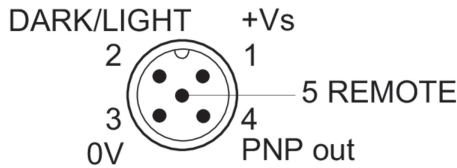
Dimension drawing



Connection diagram



Pin assignment



Relative receiving signal

