

Preliminary

Overview

- Distance measurement via IO-Link or analog output
- Outstanding reliability and unrivalled immunity against ambient light
- Baumer PinPoint LED: Small, homogeneous light spot with sharp edges
- IO-Link for extended parameterization options and additional diagnostic data



Picture similar



Technical data

General data

Type	Distance measuring
Measuring distance Sd	60 ... 550 mm
Measuring range Mr	490 mm
Adjustment	Teach-in and IO-Link
Power on indication	LED green
Output indicator	LED yellow
Light indicator	LED yellow
Repeat accuracy	≤ 200 ... 5000 μm (Raw) ≤ 150 ... 3750 μm (High Speed) ≤ 100 ... 2500 μm (Standard) ≤ 50 ... 1250 μm (High Accuracy)
Linearity error	± 3 % Mr
Beam type	Point
Suppression of reciprocal influence	Yes
Alignment optical axis	< 1°
Temperature drift	< 0,3 % Sde/K

Light Source

Light source	Pulsed PinPoint LED
Wave length	630 nm

Electrical data

Response time / release time	< 1.5 ms (Raw) < 2.25 ms (High Speed Mode) < 4.5 ms (Standard Mode) < 14 ms (High Accuracy Mode)
Voltage supply range +Vs	12 ... 30 VDC

Electrical data

Current consumption max. (no load)	30 mA
Voltage drop Vd	< 2 VDC
Output circuit	Analog 0 ... 10 VDC Push-pull / IO-Link
Output current	< 100 mA (push-pull)
Switching output	Light operate, switchable
Short circuit protection	Yes
Reverse polarity protection	Yes, Vs to GND

Communication interface

Interface	IO-Link V1.1.3
IO-Link port type	Class A
Baud rate	230,4 kBaud (COM 3)
Cycle time	≥ 0.7 ms
Process data length	48 Bit
Process data structure	Bit 0 = SSC1 (distance) Bit 1 = SSC2 (distance) Bit 2 = quality Bit 3 = alarm Bit 8-15 = scale factor Bit 16-47 = 32 Bit measurement

Preliminary

Technical data

Communication interface

Adjustable parameters	Switching point
	Operation mode
	Time filters
	LED-function
	Output logic
	Output circuit
	Analog output characteristic
	Deactivate the sensor element
	Locater function
	Teach-in mode

Additional data	Distance
	Excess gain
	Device temperature

Mechanical data

Width / diameter	18 mm
Height / length	45 mm
Depth	32 mm

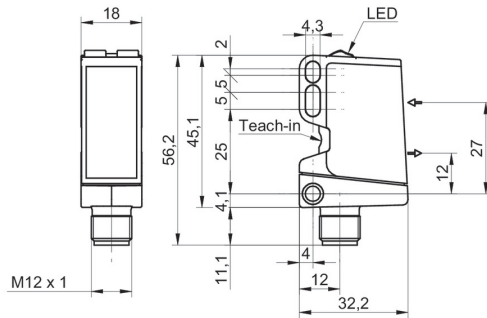
Mechanical data

Type	Rectangular
Housing material	Plastic (ASA, PMMA)
Front (optics)	PMMA
Connection types	Connector M12 5 pin

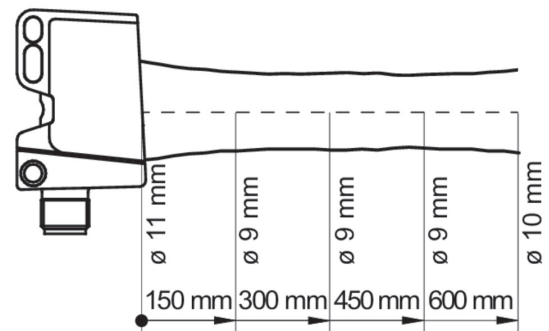
Ambient conditions

Protection class	IP 67
Operating temperature	-25 ... +60 °C
Storage temperature	-40 ... +70 °C
Vibration (sinusoidal)	IEC 60068-2-6:2008 10 g at f = 10 - 2000 Hz, duration 150 min per axis
Shock (semi-sinusoidal)	IEC 60068-2-27:2009 50 g / 11 ms, 10 impulses per axis and direction

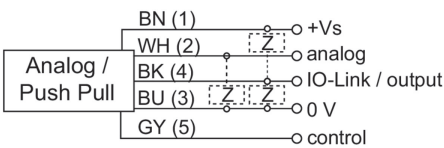
Dimension drawing



Beam characteristic (typically)



Connection diagram



Pin assignment

