

Overview

- distance measuring
- 60 ... 400 mm
- pulsed PinPoint LED
- push-pull
- Teach-in and IO-Link
- cable 4 pin, 2 m
- -25 ... 60 °C
- IP 67



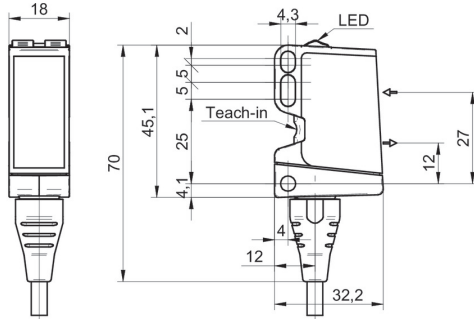
Picture similar



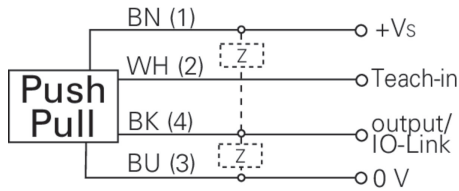
Technical data

General data		Electrical data	
Type	Distance measuring	Output circuit	Push-pull
Version	IO-Link measuring	Output current	< 100 mA
Measuring distance Sd	60 ... 400 mm	Short circuit protection	Yes
Adjustment	Teach-in and IO-Link	Reverse polarity protection	Yes
Power on indication	LED green	Communication interface	
Light indicator	LED yellow	Interface	IO-Link V1.1
Resolution	500 ... 3000 µm	Baud rate	38,4 kBaud (COM 2)
Linearity error	± 3 ... 20 mm	Cycle time	≥ 2.7 ms
Beam type	Point	Process data length	3 Byte
Suppression of reciprocal influence	Yes	Process data structure	Bit 0 = BDC1 Bit 2 = quality Bit 3 = alarm Bit 8-23 = 16 Bit measurement
Alignment optical axis	< 1°	Mechanical data	
Temperature drift	< 0,2 % Sde/K	Width / diameter	18 mm
Light Source		Height / length	45 mm
Light source	Pulsed PinPoint LED	Depth	32 mm
Wave length	630 nm	Type	Rectangular
Electrical data		Housing material	Plastic (ASA, PMMA)
Response time / release time	< 0.49 ms	Front (optics)	PMMA
Voltage supply range +Vs	10 ... 30 VDC	Connection types	Cable 4 pin, 2 m
Current consumption max. (no load)	40 mA	Ambient conditions	
Voltage drop Vd	< 3 VDC	Operating temperature	-25 ... +60 °C
		Protection class	IP 67

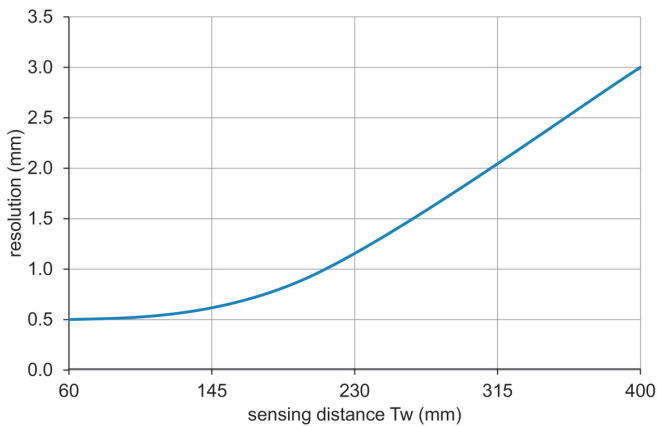
Dimension drawing



Connection diagram



Resolution



Beam characteristic (typically)

