

Overview

- light barrier
- 30 ... 120 mm
- pulsed red laser diode
- push-pull
- Teach-in and IO-Link
- cable 4 pin, 2 m
- -10 ... 60 °C
- IP 67



Picture similar



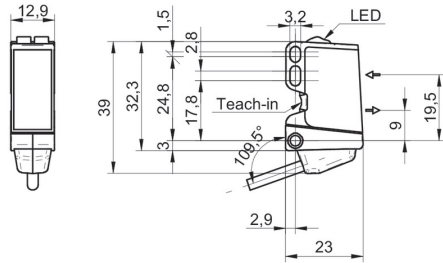
Technical data

General data		Electrical data	
Type	Light barrier	Current consumption max. (no load)	30 mA
Version	Line beam	Current consumption typ.	25 mA
Light source	Pulsed red laser diode	Voltage drop Vd	< 2,5 VDC
Background position Sde	30 ... 120 mm	Output function	Light / dark operate
Scanning range Sa	90% ... 85% Sde	Output circuit	Push-pull
Power on indication	LED green	Output current	< 100 mA
Light indicator	LED yellow	Short circuit protection	Yes
Sensing distance adjustment	Teach-in and IO-Link	Reverse polarity protection	Yes
Laser class	1	Mechanical data	
Distance to focus	400 mm	Width / diameter	12,9 mm
Wave length	656 nm	Height / length	32,3 mm
Suppression of reciprocal influence	Yes	Depth	23 mm
Beam type	Line	Type	Rectangular
Alignment optical axis	< 2°	Housing material	Plastic (ASA, PMMA)
Electrical data		Front (optics)	PMMA
Response time / release time	< 1,5 ms	Connection types	Cable 4 pin, 2 m
Voltage supply range +Vs	11 ... 30 VDC	Ambient conditions	
		Operating temperature	-10 ... +60 °C
		Protection class	IP 67

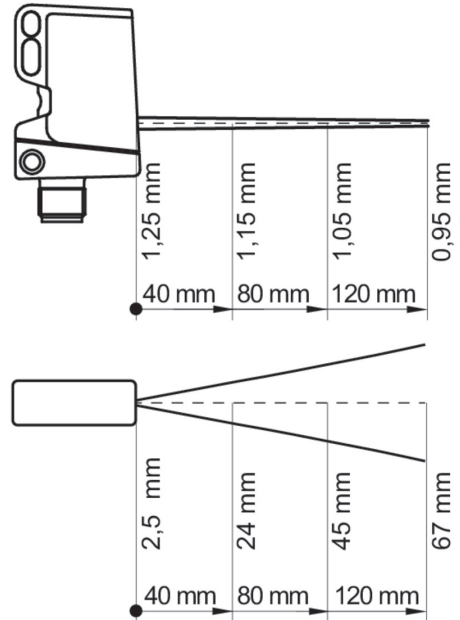
Remarks

- qTeach
- IO-Link: V1.1, filter functions, qTeach lock adjustable

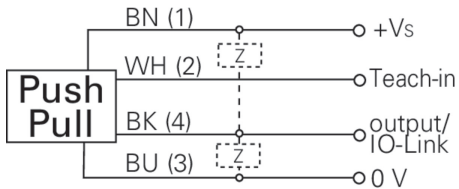
Dimension drawing



Beam characteristic (typically)



Connection diagram



Laser warning

**CLASS 1 LASER
PRODUCT**

IEC 60825-1/2014
Complies with 21 CFR 1040.10 and 1040.11 except for conformance with IEC 60825-1 Ed. 3., as described in Laser Notice No. 56, dated May 8, 2019