

Overview

- receiver
- through beam sensor
- 40 m
- NPN complementary
- qTeach
- cable 4 pin, 2 m
- -25 ... 60 °C
- IP 67



Picture similar



Technical data

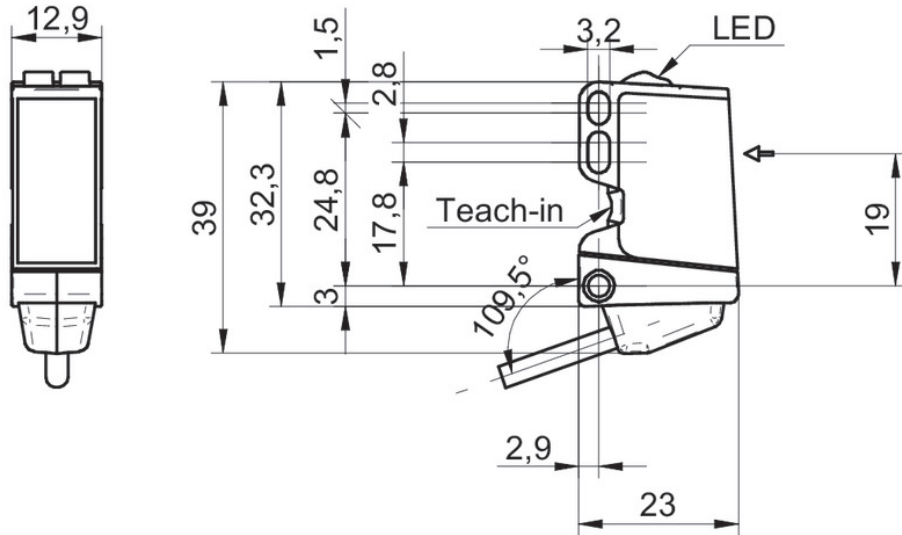
| General data | | Electrical data | |
|------------------------------------|--------------------------|-----------------------------|----------------------|
| Type | Through beam sensor | Voltage drop Vd | < 3 VDC |
| Emitter / receiver | Receiver | Output function | Light / dark operate |
| Actual range Sb | 40 m | Output circuit | NPN complementary |
| Nominal range Sn | 75 m | Output current | < 100 mA |
| Alignment / soiled lens indicator | Flashing light indicator | Short circuit protection | Yes |
| Light indicator | LED yellow | Reverse polarity protection | Yes |
| Power on indication | LED green | Mechanical data | |
| Sensitivity adjustment | qTeach | Width / diameter | 12.9 mm |
| Alignment optical axis | < 2° | Height / length | 32.3 mm |
| Electrical data | | Depth | 23 mm |
| Response time / release time | < 0.49 ms | Type | Rectangular |
| Voltage supply range +Vs | 10 ... 30 VDC | Housing material | Plastic (ASA, PMMA) |
| Current consumption max. (no load) | 40 mA | Front (optics) | PMMA |
| Current consumption typ. | 30 mA | Connection types | Cable 4 pin, 2 m |
| | | Ambient conditions | |
| | | Operating temperature | -25 ... +60 °C |
| | | Protection class | IP 67 |

O300.EL-NV1T.72CU

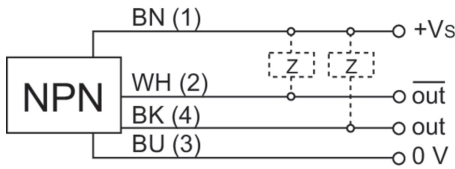
Through beam sensors - miniature

Article number: 11181069

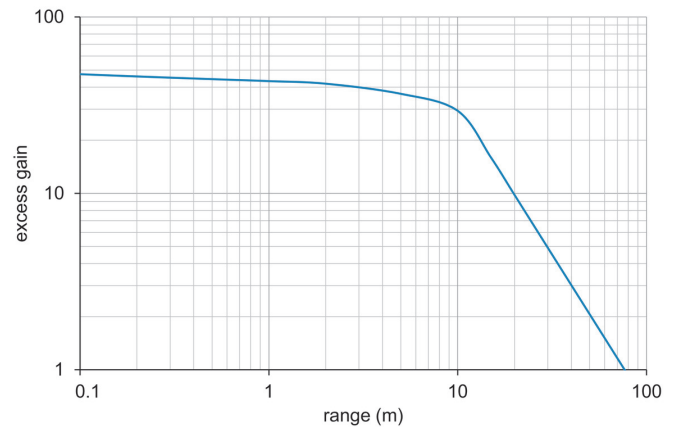
Technical drawings



Connection diagram



Excess gain curve



Laser warning

**CLASS 1 LASER
PRODUCT**

IEC 60825-1/2014
Complies with 21 CFR 1040.10 and
1040.11 except for conformance with
IEC 60825-1 Ed. 3., as described in
Laser Notice No. 56, dated May 8, 2019