

Mounting adaptor

For encoders with synchro flange

Article number: 10117667

Overview

- Glass-fiber reinforced plastic
- Excellent resistance against temperature and chemicals
- Electrically isolated encoder mount



Technical data

Technical data

Operating temperature	-40...+120 °C
Weight approx.	54 g
Material	Fortron 1140 L4, black

Technical data

Instruction	Necessary accessories: Set of eccentric fixings (Z 119.018 / 10117668) with 3x eccentric fixings, screws and nuts
-------------	---

Description

Mounting adaptor for encoders with synchro flange.

Scope of delivery

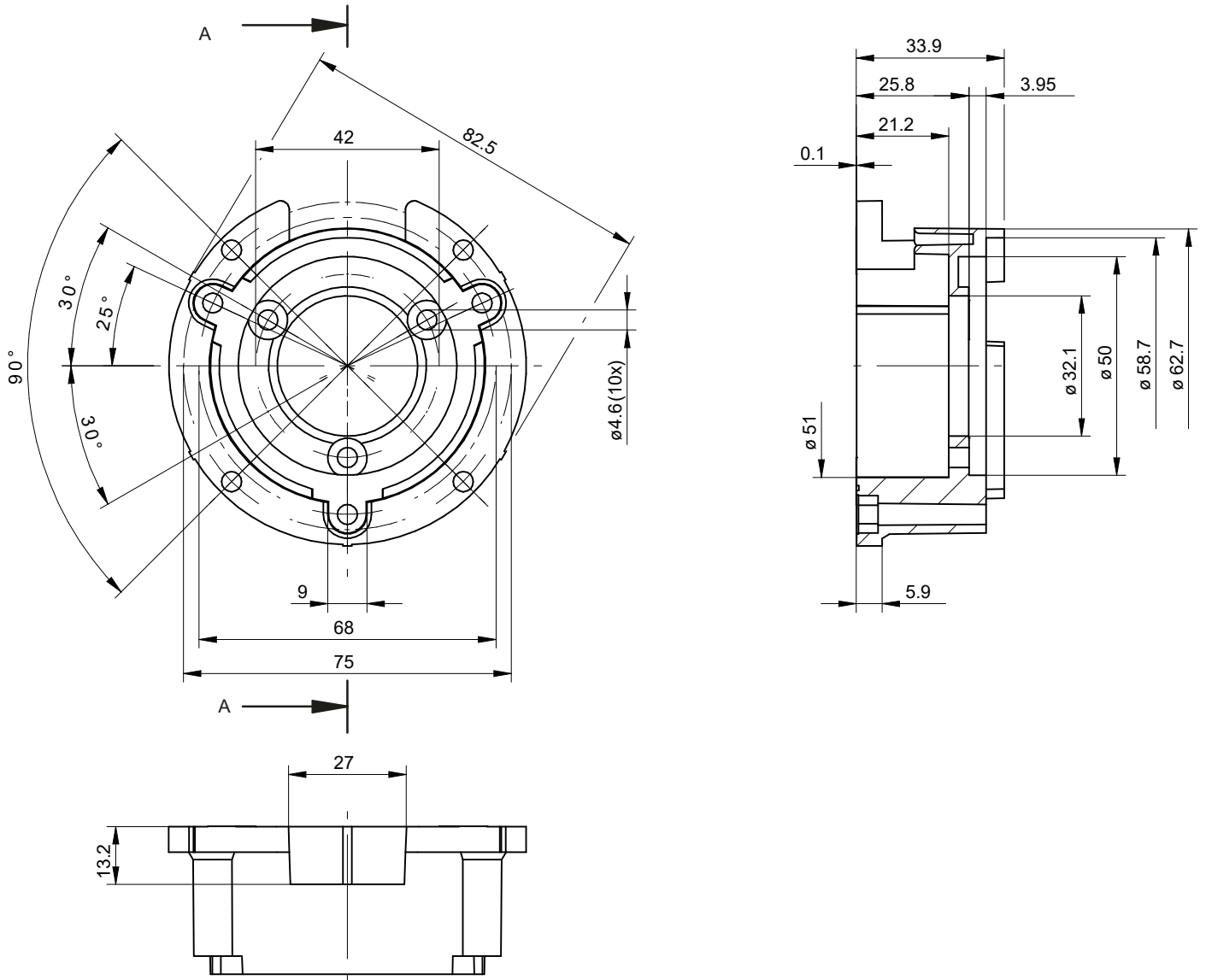
1x mounting adaptor

Mounting adaptor

For encoders with synchro flange

Article number: 10117667

Dimensions

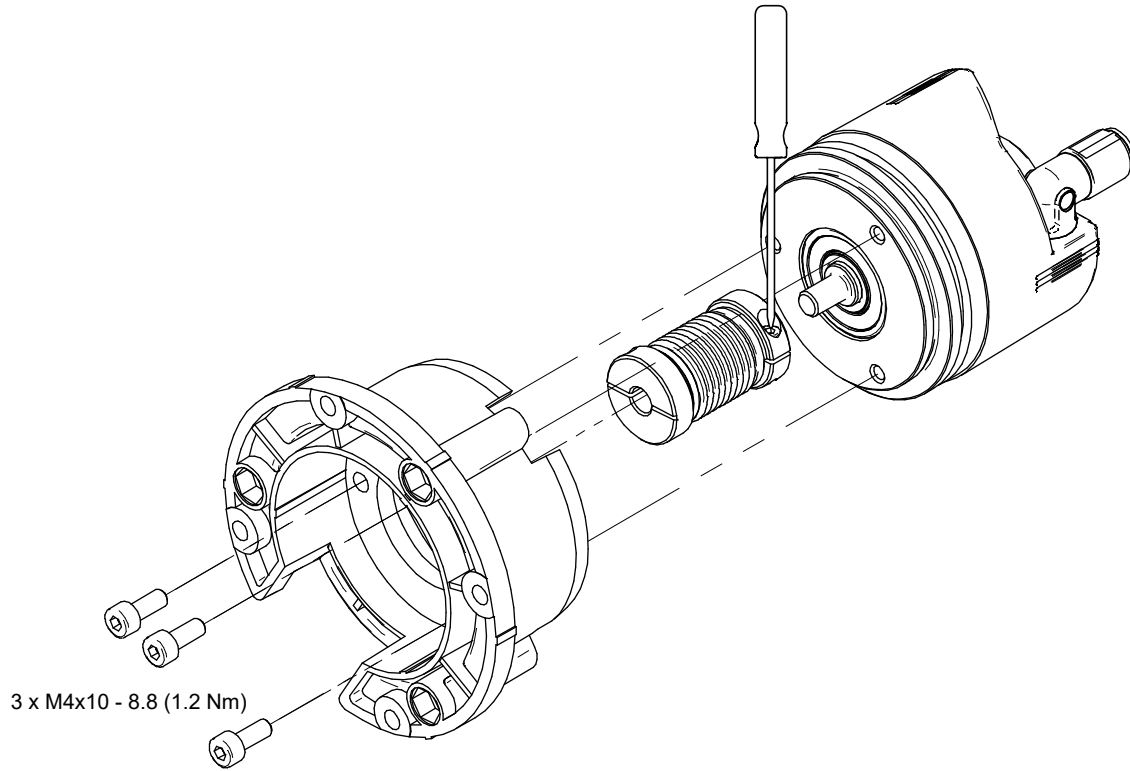


Mounting adaptor

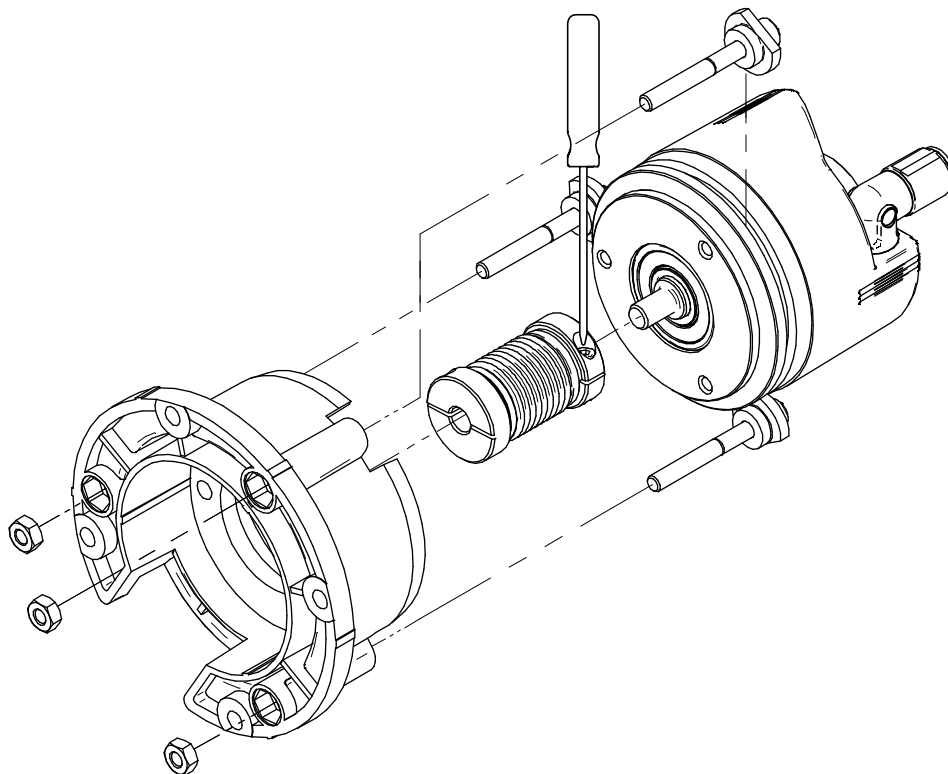
For encoders with synchro flange

Article number: 10117667

Assembly drawing



Encoder mount using the threaded mounting holes in the flange



Encoder mount using mounting clamps

Mounting adaptor

For encoders with synchro flange

Article number: 10117667

Accessories

Mounting accessories

10117668	Set of eccentric fixings for mounting clamp (10117667)
----------	---