

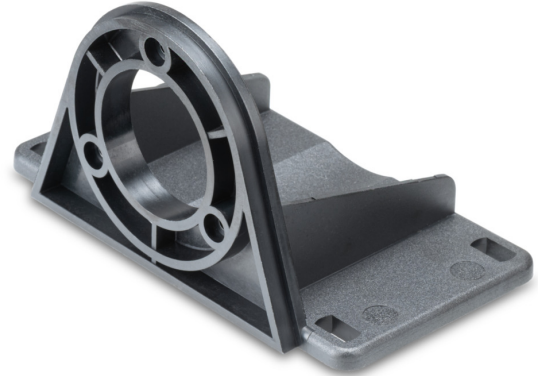
Mounting adaptor

For encoders with clamping flange

Article number: 10125051

Overview

- Glass-fiber reinforced plastic
- Excellent resistance against temperature and chemicals
- Electrically isolated encoder mount



Technical data

Technical data

Operating temperature	-40...+120 °C
-----------------------	---------------

Technical data

Weight approx.	63 g
Material	Fortron 1140 L4, black

Description

Mounting angle inclusive fixing screws for encoder with clamping flange and mounting bore M3.

Scope of delivery

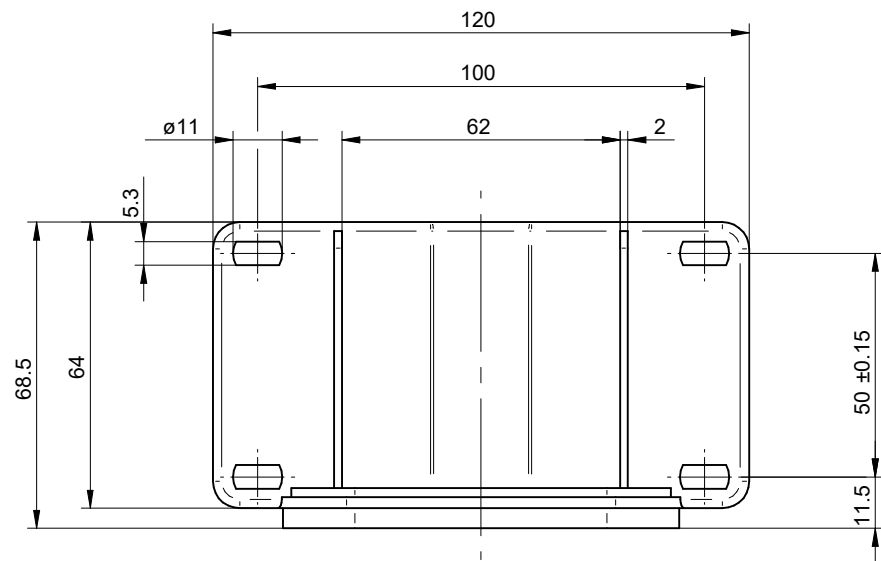
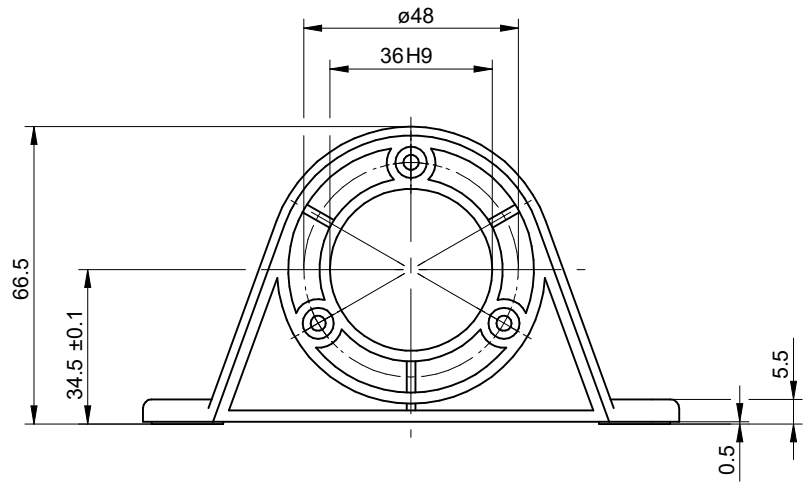
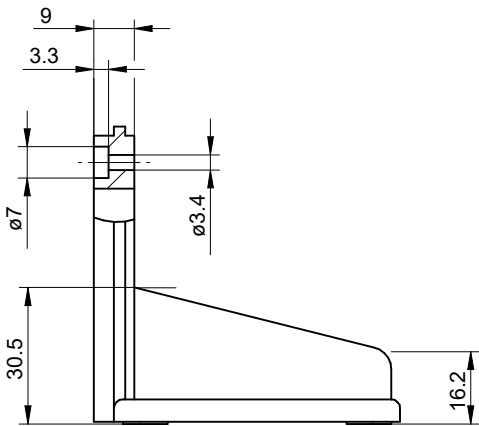
1x mounting adaptor, 3x socket head screw M3x12 ISO 4762-A2, 3x serrated lock washer J3,2 A2 DIN 6798

Mounting adaptor

For encoders with clamping flange

Article number: 10125051

Dimensions



Mounting adaptor

For encoders with clamping flange

Article number: 10125051

Assembly drawing

