

MY-COM D250/200

My-Com precision switches

Article number: 10221009

overview

- break function (NC) mechanical
- cable, 2 m
- -20 ... 75 °C
- IP 67



Technical data

general data

repeat accuracy	< 0,001 mm
activating force	250 cN
mech. pre-run / overrun	1 mm / 1 mm approx.
measurement type	contact with medium
direction of approach	frontal and lateral approach

electrical data

DC voltage max.	15 VDC
switch. current DC max.	2 mA
AC voltage max.	24 VAC
switch. current AC max.	50 mA

electrical data

output circuit	break function (NC) mechanical
----------------	--------------------------------

mechanical data

activating pin	hardened steel
housing material	browned brass
dimension	16 mm
type	cylindrical threaded
housing length	56 mm
connection types	cable, 2 m

ambient conditions

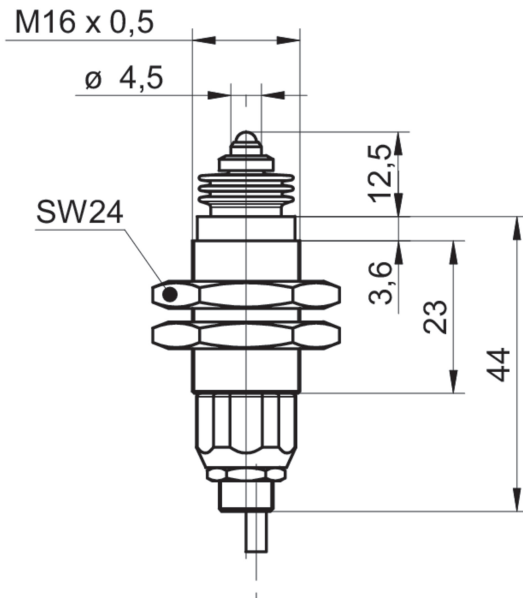
operating temperature	-20 ... +75 °C
protection class	IP 67

MY-COM D250/200

My-Com precision switches

Article number: 10221009

dimension drawing



connection diagram

