

IR18.D08F-F60.UA1E.7BO

Inductive distance sensors - factor 1 - all metals

Article number: 11170540

Overview

- 0 ... 8 mm
- voltage output
- external Teach-in
- connector M12
- -25 ... 75 °C
- IP 67



Picture similar



Technical data

General data		Electrical data	
Mounting type	Flush	Current consumption max. (no load)	15 mA
Special type	Linearized Factor 1	Output circuit	Voltage output
Measuring distance Sd	0 ... 8 mm	Output signal	0 ... 10 VDC
Sensitivity	1,25 V/mm	Load resistance	> 4000 Ohm
Resolution	< 0.02 mm (stat.) < 0.03 mm (dynam.)	Short circuit protection	Yes
Repeat accuracy	0.03 mm	Reverse polarity protection	Yes
Adjustment	External Teach-in	Mechanical data	
Teach	1-point analog, 2-point analog, factory re-set	Design	Cylindrical threaded
Linearity error	± 70 µm	Material (sensing face)	PBT
Temperature drift	± 3 % (Full Scale: S = 0 ... 6 mm) ± 5 % (Full Scale: S = 0 ... 8 mm)	Housing material	Brass nickel plated
Teach-Feedback	LED yellow	Dimension	18 mm
Electrical data		Housing length	60 mm
Response time (factory characteristic)	< 15 ms	Connection types	Connector M12
Voltage supply range +Vs	12 ... 36 VDC	Tightening torque max.	40 Nm
		Ambient conditions	
		Operating temperature	-25 ... +75 °C
		Protection class	IP 67

Remarks

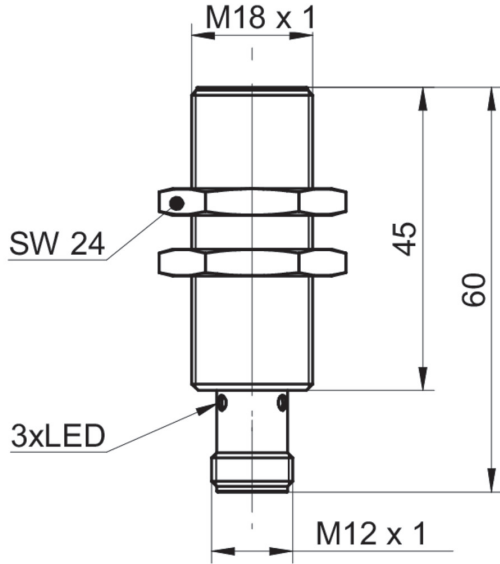
- External Teach-in
- Linear analog output
- Same measuring distance on all metals (no reduction factor)

IR18.D08F-F60.UA1E.7BO

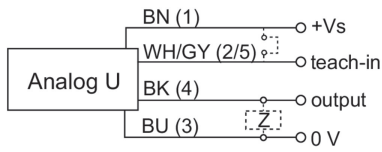
Inductive distance sensors - factor 1 - all metals

Article number: 11170540

Dimension drawing



Connection diagram



Pin assignment

