

**Overview**

- 12 mm
- NPN make function (NO)
- connector M12
- -40 ... 80 °C
- IP 68/69K & proTect+



Picture similar



**Technical data**

**General data**

Mounting type	Non-flush
Special type	Hygienic design
Nominal sensing distance S <sub>n</sub>	12 mm
Hysteresis	2 ... 15 % of S <sub>r</sub>
Output indicator	LED red
Approvals/certificates	Ecolab Adapted from EHEDG REGULATION (EC) 1935/2004 REGULATION (EC) 2023/2006 REGULATION (EU) 1282/2011 FDA 21 CFR § 175.300 FDA 21 CFR § 177.2600 FCN 742

Ecolab  
Adapted from EHEDG  
REGULATION (EC) 1935/2004  
REGULATION (EC) 2023/2006  
REGULATION (EU) 1282/2011  
FDA 21 CFR § 175.300  
FDA 21 CFR § 177.2600  
FCN 742

**Electrical data**

Switching frequency	< 500 Hz
Voltage supply range +V <sub>s</sub>	6 ... 30 VDC
Current consumption max. (no load)	10 mA

**Electrical data**

Output circuit	NPN make function (NO)
Voltage drop V <sub>d</sub>	< 2 VDC
Output current	< 200 mA
Output current (at cleaning temperature)	< 100 mA
Short circuit protection	Yes
Reverse polarity protection	Yes

**Mechanical data**

Type	Cylindrical smooth
Material (sensing face)	LCP
Housing material	Stainless steel 1.4404 (V4A); LSR
Dimension	17 mm
Housing length	60 mm
Connection types	Connector M12

**Ambient conditions**

Operating temperature	-40 ... +80 °C
Cleaning temperature	80 ... +100 °C (30 min/day)
Protection class	IP 68/69K & proTect+

**Remarks**

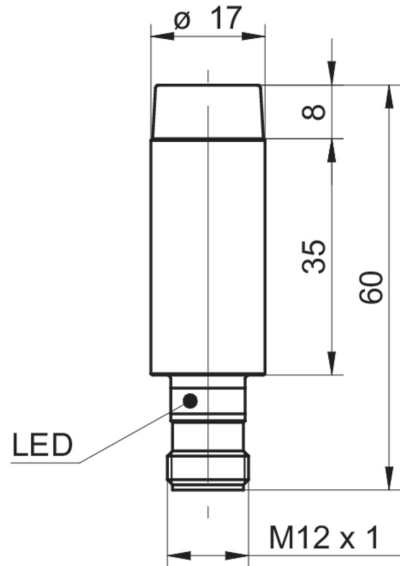
- Sensor compliant with various food regulations (see approvals)
- LSR = Liquid Silicon Rubber

# IFBR 17N13T1/S14L-9

Inductive proximity switch - hygiene

Article number: 11014606

## Dimension drawing



## Connection diagram

