

Overview

- Distance measuring
- 0 ... 3 mm
- voltage output
- flylead connector M8
- -20... 70 °C
- IP 67



Picture similar



Technical data

General data

Mounting type	Quasi-flush
Special type	Linearized
Measuring distance Sd	0 ... 3 mm
Sensitivity	3,33 V/mm
Resolution	< 0.003 mm (stat.) < 0.009 mm (dynam., S = 0 ... 2 mm) < 0.018 mm (dynam., S = 0 ... 3 mm)
Repeat accuracy	0.01 mm
Adjustment	External Teach-in
Linearity error	± 15 µm (S = 0 ... 2 mm) ± 90 µm (S = 0 ... 3 mm)
Temperature drift	± 2 % (Full Scale: S = 0 ... 2 mm) ± 6 % (Full Scale: S = 0 ... 3 mm)

Electrical data

Response time (factory characteristic)	< 2 ms
Voltage supply range +Vs	12 ... 30 VDC
Current consumption max. (no load)	10 mA

Electrical data

Output circuit	Voltage output
Output signal	0 ... 10 VDC
Load resistance	> 4000 Ohm
Short circuit protection	Yes
Reverse polarity protection	Yes

Mechanical data

Design	Rectangular
Material (sensing face)	PBT
Housing material	Stainless steel
Dimension	8 mm
Housing length	24.6 mm
Connection types	Flylead connector PUR M8, L=200 mm
Tightening torque max.	0.8 Nm

Ambient conditions

Operating temperature	-20 ... +70 °C
Protection class	IP 67

Remarks

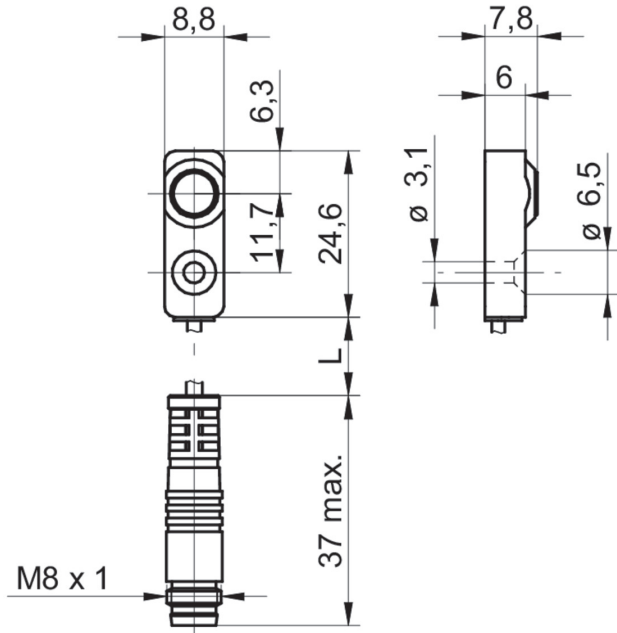
- Linear analog output

IF08.D03L-Q25.UA1E.7VNU

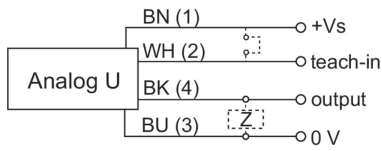
Inductive distance sensors - miniature

Article number: 11244231

Dimension drawing



Connection diagram



Pin assignment

