

# IDC200.W08

Camera based multicode reader for 1D and 2D codes - Focal length 8 mm

Article number: 11704586

## Overview

- Stationary code reader for reading and checking barcodes (1D) and matrix codes (2D) including GS1
- Parameterization in the web browser, no installation of software required
- Easy access via USB or industrial Ethernet
- Clear status information via integrated OLED display
- Simultaneous reading of multiple codes at once and checking against default value



Picture similar



## Technical data

### Feature checks

Identification Barcode  
Matrix code

### Supported Codes

1D codes 2/5 Industrial  
2/5 Interleaved  
Codabar  
Code 32 (converted from Code 39)  
Code 39  
Code 39 Extended  
Code 93  
Code 128  
EAN-8 Add-On 2  
EAN-8 Add-On 5  
EAN-8  
EAN-13 Add-On 2  
EAN-13 Add-On 5  
EAN-13  
GS1 DataBar Expanded Stacked  
GS1 DataBar Expanded  
GS1 DataBar Limited  
GS1 DataBar Omnidirectional  
GS1 DataBar Stacked Omnidirectional  
GS1 DataBar Stacked  
GS1 DataBar Truncated  
GS1-128  
MSI  
PharmaCode  
UPC-A Add-On 2  
UPC-A Add-On 5  
UPC-A  
UPC-E Add-On 2  
UPC-E Add-On 5  
UPC-E

### Supported Codes

2D codes Data Matrix ECC 200  
QR Code  
Micro QR Code  
PDF417  
Aztec Code  
DotCode  
GS1 DataMatrix  
GS1 QR Code  
GS1 Aztec Code  
GS1 DotCode

### Optical properties

Reading distance (front edge)	50 ... 1000 mm
Field of View min.	29 x 18 mm
Field of View max.	485 x 303 mm
Min. modul size 1D	0.04 mm / 1.4 mil
Min. modul size 2D	0.07 mm / 2.8 mil
Decoding rate max.	40 codes per second at 1MP
Image sensor	CMOS-Sensor, monochrome, global Shutter
Resolution	1280 x 800 (1MP)
Focal length	8 mm
Focus	Electromechanical auto focus
Light source	LED illumination with 16 LED, 4 segments individually switchable

### Display and controls

Indicator ring	4 RGB LED for pass / fail etc.
Pointer	Green (570 nm), approximate center of image
Display	OLED, 128 x 64 pixels, 0.96" with burn-in protection
Buttons	2 pcs qTeach buttons

# IDC200.W08

Camera based multicode reader for 1D and 2D codes - Focal length 8 mm

Article number: 11704586

## Technical data

### Interfaces and connectors

Software / parametrisation	Integrated Webserver for parametrisation
Interface	Gigabit Ethernet, 3/3 digitale I/O, USB (Parametrisierung und HID)
Protocols	PROFINET (CC-A), TCP, FTP, SFTP, USB-HID (virtual keyboard)

### Electrical data

Voltage supply range +Vs	+ 24 VDC $\pm$ 20 % , reverse polarity protected
Power supply	Typ. 5.5 W (1.2 A max. at 24 V)
Electrical connection	M12, 12-pin, A-coded, male
Ethernet connection	1000-Mbit/s-Ethernet, M12, 8-pin, X-coded, socket
USB Connection	Type C (HID, parametrization)

### Mechanical data

Dimensions (W x H x D)	50 mm x 52 mm x 50 mm
------------------------	-----------------------

### Mechanical data

Weight	350 g
--------	-------

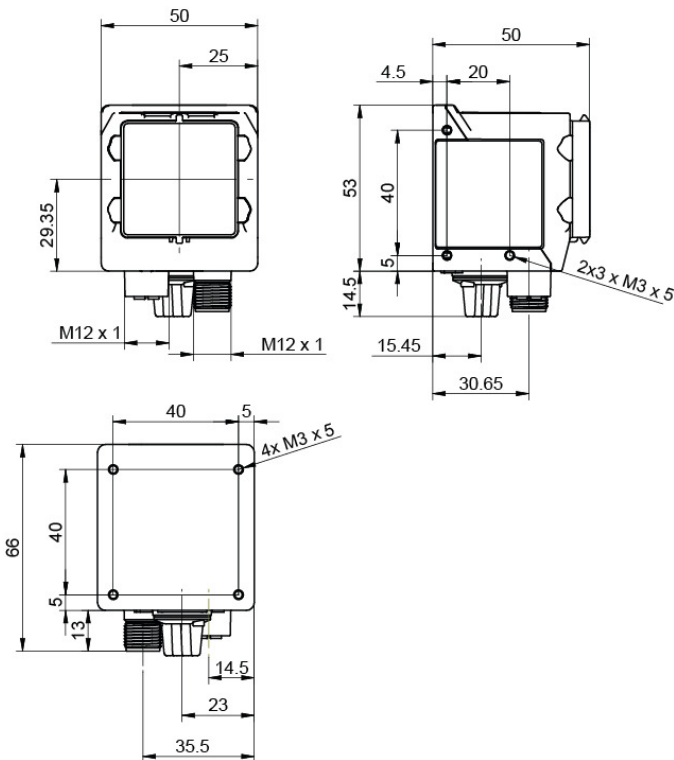
### Ambient conditions

Ambient temperature	0 ... + 45 °C
Storage temperature	- 10 ... + 60 °C
Ambient humidity	0 ... 85 %
Protection class (IEC 60529)	IP 67
Vibration (sinusoidal)	1 mm p-p at f = 10 - 55 Hz, duration 5 min per axis 30 min endurance at f = 55 Hz per axis IEC 60068-2-6:2008
Shock (semi-sinusoidal)	30 g / 11 ms, 6 jolts per axis and direction IEC 60068-2-27:2009

### Conformity

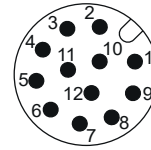
Conformity	CE
------------	----

## Dimension drawing



## Pin assignment

Electrical connection: Connector M12, 12-pin, A-coded



Pin	Signal
1	Power (+24 VDC $\pm$ 20%)/2L
2	Ground/2M
3	IN1 (Trigger)
4	IN2
5	IN3
6	OUT1
7	(not used)
8	OUT2
9	OUT3
10	(not used)
11	(not used)
12	(not used)

# IDC200.W08

Camera based multicode reader for 1D and 2D codes - Focal length 8 mm

Article number: 11704586

## Pin assignment

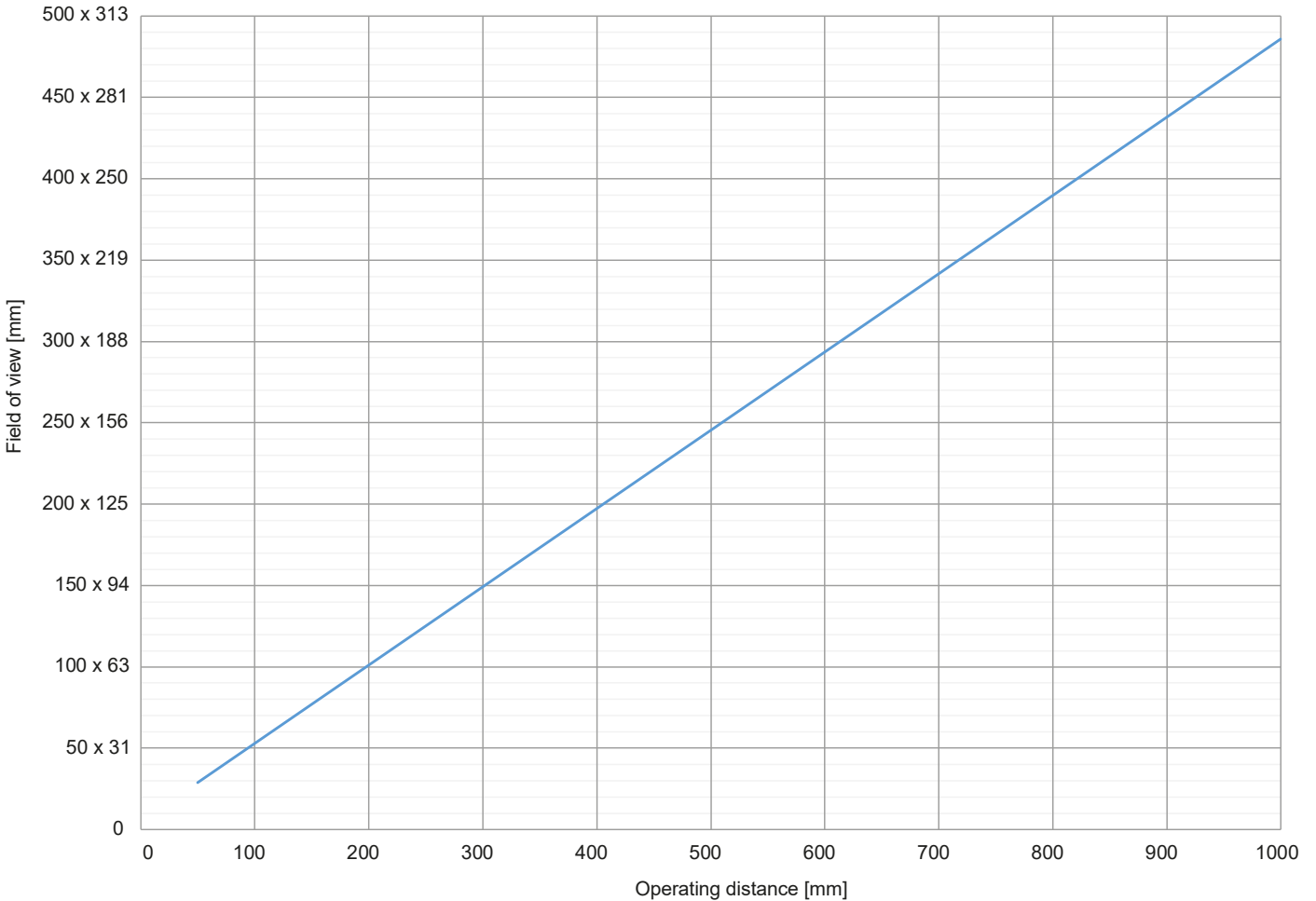
Ethernet connection: GigE, socket M12, 8-pin, X-coded



Pin	Signal
1	RX+
2	RX-
3	TX+
4	TX-
5	-VDC
6	-VDC
7	+VDC
8	+VDC

## Diagrams

### Field of view



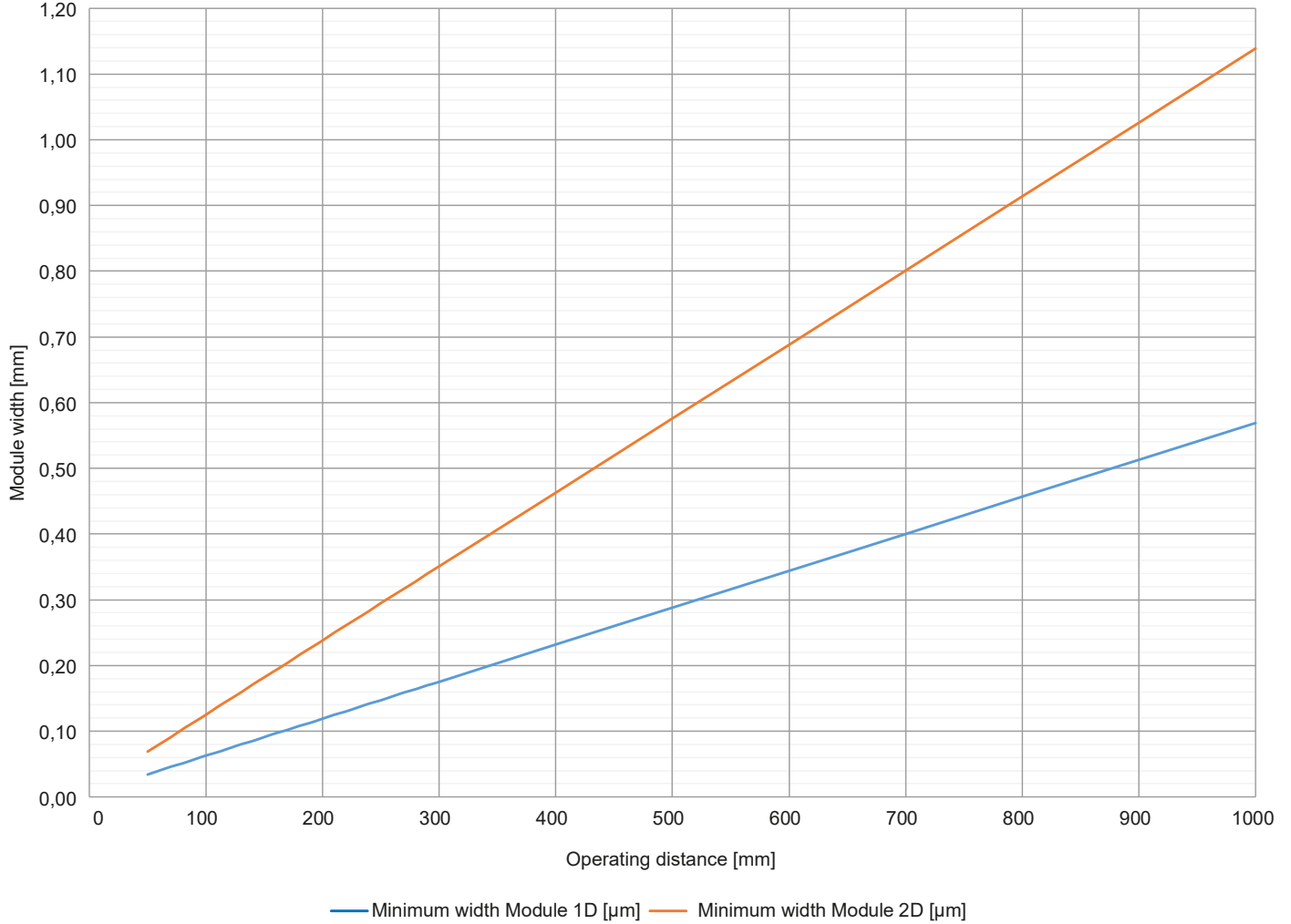
# IDC200.W08

Camera based multicode reader for 1D and 2D codes - Focal length 8 mm

Article number: 11704586

## Diagrams

### Minimum module width



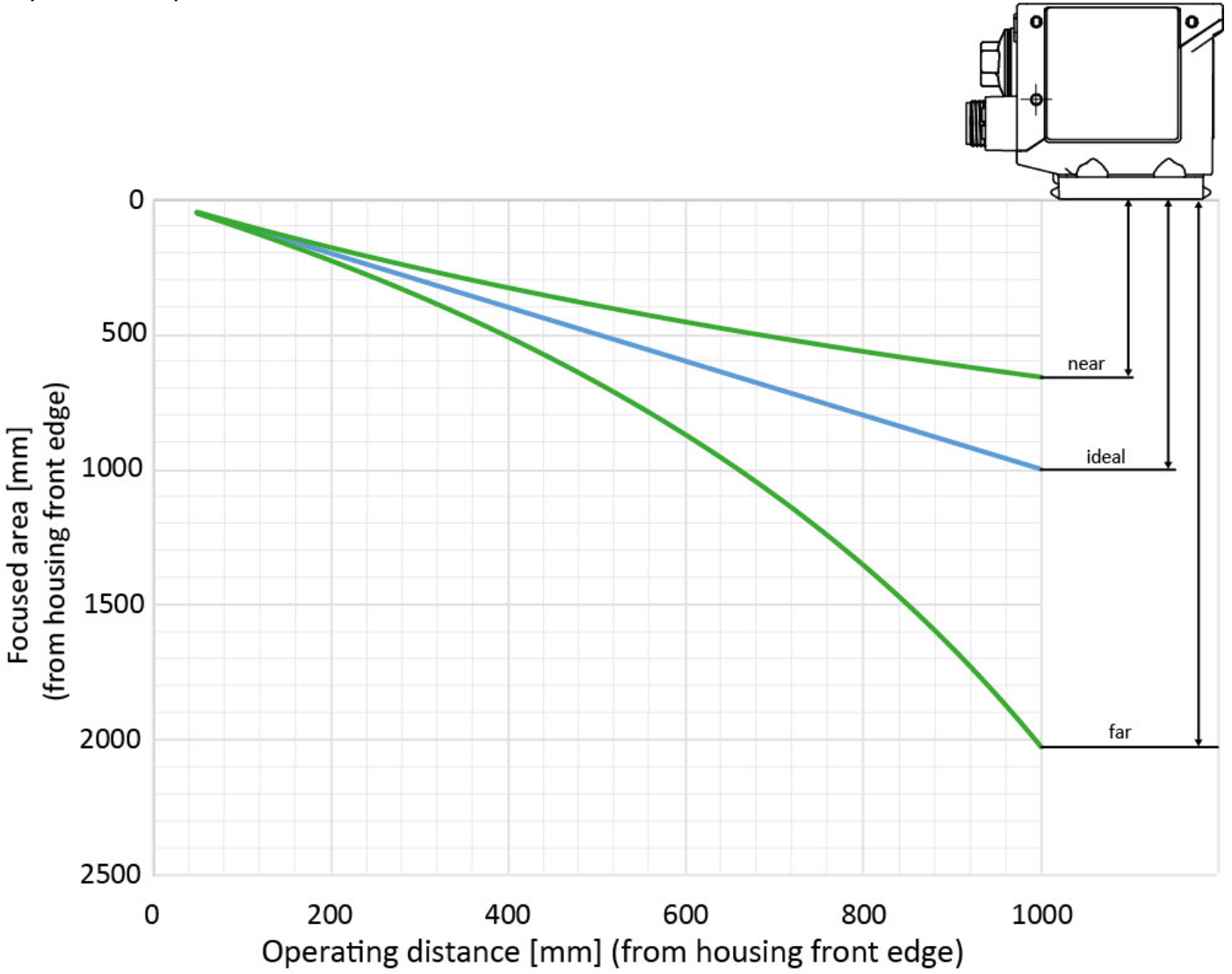
# IDC200.W08

Camera based multicode reader for 1D and 2D codes - Focal length 8 mm

Article number: 11704586

**Diagrams**

**Depth of focus at operation distance**



2024-04-17 The product features and technical data specified do not express or imply any warranty. Technical modifications subject to change.