

FHDK 04G6111/KS35A

Diffuse sensors with background suppression - subminiature

Article number: 10162793

Overview

- background suppression
- 30 mm ±2 mm
- pulsed point source LED
- push-pull
- flylead connector M8 4 pin, L=200 mm
- -10 ... 50 °C
- IP 65



Picture similar



Technical data

General data

Type	Background suppression
Light source	Pulsed point source LED
Sensing distance Tw	30 mm ±2 mm
Alignment / soiled lens indicator	Flashing light indicator
Light indicator	LED yellow
Wave length	660 nm
Beam diameter	2 mm
Suppression of reciprocal influence	Yes

Electrical data

Response time / release time	< 0.5 ms
Voltage supply range +Vs	11 ... 30 VDC
Current consumption max. (no load)	30 mA
Current consumption typ.	20 mA

Electrical data

Voltage drop Vd	< 2 VDC
Output function	Dark operate
Output circuit	Push-pull
Output current	< 50 mA
Short circuit protection	Yes
Reverse polarity protection	Yes, supply only

Mechanical data

Width / diameter	4 mm
Height / length	44.8 mm
Depth	6.2 mm
Type	Rectangular
Housing material	Plastic (ASA)
Front (optics)	PMMA
Connection types	Flylead connector M8 4 pin, L=200 mm

Ambient conditions

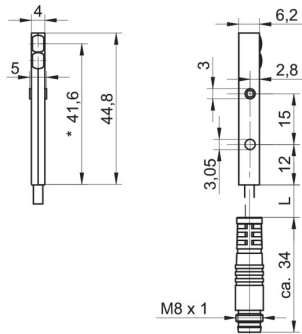
Protection class	IP 65
Operating temperature	-10 ... +50 °C

FHDK 04G6111/KS35A

Diffuse sensors with background suppression - subminiature

Article number: 10162793

Dimension drawing



- * emitter axis

Connection diagram

