

**Overview**

- Compression load from 0... 200 N
- Non-linearity < 0.2 %
- Sensor body made of stainless steel with protection class IP68
- Fully welded sensor design
- Durable with 100% working stroke



**Technical data**

**General data**

Measuring range	0 ... 200 N
Non-linearity	< 0.2 %
Repeatability	< 0.1 %
Temperature effect zero	< 0.2 % / 10K
Zero point deviation	< 20 %
Type	Button
Mechanical mounting	4 x M3 screws / loose

**Mechanical data**

Overload	150 %
Breaking load	200 %
Fatigue strength	>10 Mio cycles at 0...100% FS
Nominal displacement	18 µm
Weight	65 g
Material sensor body	Stainless steel, 1.4542

**Mechanical data**

Electrical connection	M8, 4 pin, male
-----------------------	-----------------

**Electrical data**

Nominal sensitivity	1 mV/V
Bridge resistance	1000 Ω
Supply voltage	0.5 ... 12 VDC
Signal polarity positive	Compression

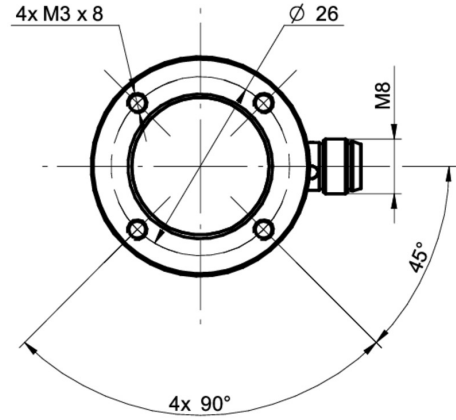
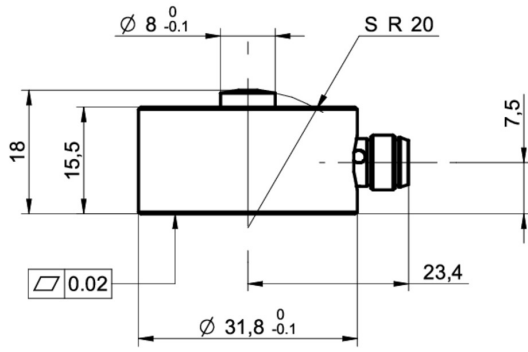
**Environmental conditions**

Operating temperature range	-40 ... 85 °C
Storage temperature range	-40 ... 85 °C
Protection class EN 60529, ISO20653	IP 68

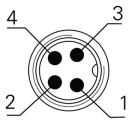
**Compliance and approvals**

UL listed	E217824
-----------	---------

**Dimensional drawings (mm)**



**Electrical connection**



- 1 +Vs
- 2 Sig +
- 3 -Vs
- 4 Sig -