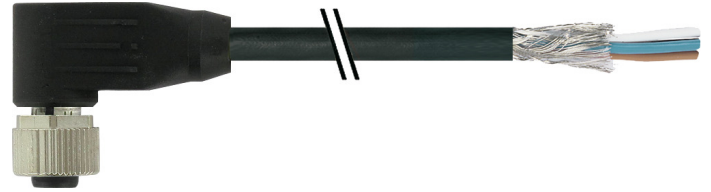


**Overview**

- M12, female, A-coded, 8-poles; PUR, 1000 cm, shielded, free cable end
- Dragchain capable
- Head A: IP65, IP66K, IP67
- Cable: good resistance against chemicals, flames, oils
- Halogen free



**Technical data**

| Side A                             |                                       | Cable                           |   |
|------------------------------------|---------------------------------------|---------------------------------|---|
| Head A: Connection                 | M12                                   | Number and diameter of wires    | 8x0,25                                  |
| Head A: Angle cable outlet         | 90°                                   | Length tolerance                | ± 15 cm                                 |
| Head A: Gender                     | Female                                | Cable length                    | 1000 cm                                 |
| Head A: Coding                     | A                                     | Acceleration (C-track)          | max. 5 m/s <sup>2</sup>                 |
| Head A: No. of poles               | 8                                     | AWG                             | 24                                      |
| Head A: LED                        | No                                    | Bending radius (fixed)          | min. 5 × outer diameter                 |
| Head A: Width across flats         | AF13                                  | Torsion speed                   | max. 35 cycles/min                      |
| Head A: Tightening torque          | 0.6 Nm                                | Bending radius (mobile)         | min. 10 × outer diameter                |
| Head A: Knurled nut material       | Zinc-pressure die casting, surface Ni | Cable type                      | 3                                       |
| Head A: Body color                 | Black                                 | Cable weight                    | approx. 66 g/m                          |
| Head A: Gasket material            | FKM                                   | Wire 1: Color                   | WH                                      |
| Labeling sleeve side A             | Yes                                   | Wire 2: Color                   | BN                                      |
| <b>Side B</b>                      |                                       | Wire 3: Color                   | GN                                      |
| Head B: Connection                 | Open-ended wires                      | Wire 4: Color                   | YE                                      |
| Labeling sleeve side B             | Yes                                   | Wire 5: Color                   | GY                                      |
| <b>Cables</b>                      |                                       | Wire 6: Color                   | PK                                      |
| Cable length                       | 1000 cm                               | Wire 7: Color                   | BU                                      |
| Length tolerance                   | ± 15 cm                               | Wire 8: Color                   | RD                                      |
| Stripping length                   | 60 mm                                 | Conductor structure             | 32 × 0.1 mm                             |
| Shielded                           | Yes                                   | Cable diameter                  | 7 mm ± 5%                               |
| Conductor structure                | 32 × 0.1 mm                           | Conductor: Material             | Copper, bare                            |
| AWG                                | 24                                    | External sheath: Material       | PUR                                     |
| External sheath: Material          | PUR                                   | Insulation: Material            | PP                                      |
| External sheath: Color             | Black                                 | Shielding: Material             | Copper, tinned                          |
| Cable diameter                     | 7 mm ± 5%                             | No. of bending cycles (C-track) | approx. 5000000 Cycles                  |
| Wire cross section                 | 0.25 mm <sup>2</sup>                  | Nominal voltage                 | 300 V                                   |
| <b>Cable</b>                       |                                       | No. of torsion cycles           | approx. 2000000 Cycles                  |
| Cable: Temperature range (mobile)  | - 25 ...+ 80 °C                       | Paired stranding                | No                                      |
| Cable: Temperature range (fixed)   | - 40 ...+ 80 °C                       | Single wire diameter            | 0.1 mm                                  |
| Operating voltage (only UL listed) | 30 V AC/DC                            | Cable: Test voltage             | 2 kV AC core-core ; 2 kV AC core-shield |
| Shielded                           | Yes                                   | Torsion stress in °             | ± 30 °/m                                |
| Shielding: Covering                | approx. 80 %                          | Total stranding                 | 8 wires strand around core-filler       |
| Bending radius (fixed)             | 35 mm                                 | Travel speed (C-track)          | max. 3.3 m/s                            |
| Number of wires                    | 8                                     | Traversing path (horizontal)    | max. 5 m                                |
|                                    |                                       | Wire cross section              | 0.25 mm <sup>2</sup>                    |
|                                    |                                       | Wire processing                 | No                                      |
|                                    |                                       | Wire diameter incl. isolation   | 1.2 mm ± 5%                             |

**Technical data**

**Cable**

External sheath: Color      Black

**Electrical data**

Operating voltage            max. 30 V AC/DC

Operating voltage (only UL listed)      30 V AC/DC

Nominal voltage            300 V

Contact resistance           max. 30 mOhm

Operating current per contact            max. 2 A

**Mechanical data**

Head A: Degree of protection      IP65, IP66K, IP67

Bending radius (mobile)            min. 10 × outer diameter

Bending radius (fixed)            min. 5 × outer diameter

No. of bending cycles (C-track)      approx. 5000000 Cycles

Torsion speed                    max. 35 cycles/min

Torsion stress in °                    ± 30 °/m

No. of torsion cycles            approx. 2000000 Cycles

Acceleration (C-track)            max. 5 m/s<sup>2</sup>

Travel speed (C-track)            max. 3.3 m/s

**Environmental conditions**

Temperature range (mobile)      - 25 ...+ 80 °C

Temperature range (fixed)      - 25 ...+ 80 °C

Cable: Temperature range (fixed)      - 40 ...+ 80 °C

Dragchain capable            Yes

Head A: Chemical resistance      No

Head A: Flame resistance      HB (UL 94)

Head A: Oil resistance            ASTM 1 oil, mineral oils, limited to hydraulic oils

Head A: Acid and alkali resistant      No

Head A: Pollution degree            3

Cable: Chemical resistance      Good (DIN EN 60811-404)

Cable: Flame resistance            Conform UL 1581 §1090 (H), CSA FT2, IEC 60332-2-2

Cable: Oil resistance            Good (DIN EN 60811-404)

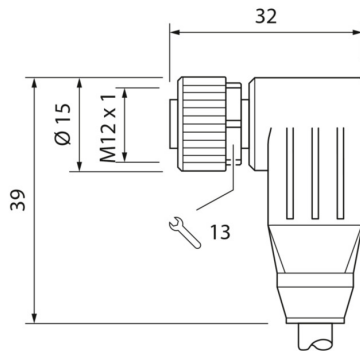
Cable: Silicone-free            Yes

**Commercial data**

Eclass                            27060311

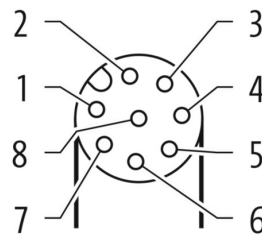
**Side A**

**Technical drawing**



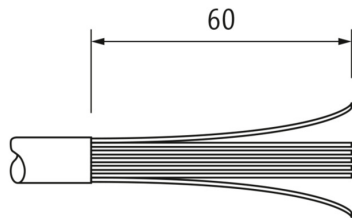
**Side A**

**Coding**

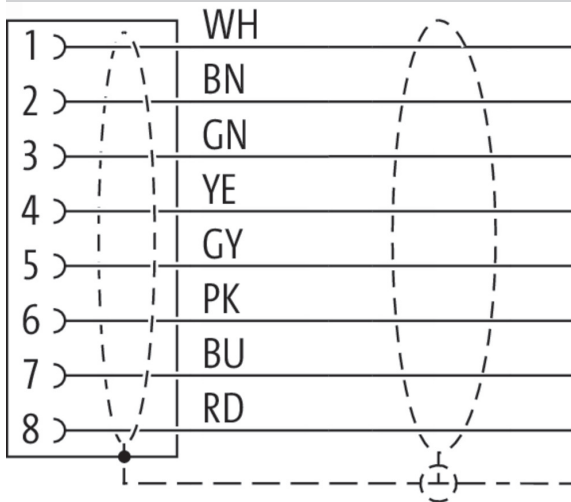


**Side B**

**Technical drawing**



**Connection diagram**



**Dimension drawing**

