

Overview

- M12, female, A-coded, 8-poles; PUR, 2000 cm, shielded, free cable end
- Dragchain capable
- Head A: IP65, IP66K, IP67
- Cable: good resistance against chemicals, flames, oils
- Halogen free



Technical data

Side A		Cable	
Head A: Connection	M12	Number and diameter of wires	8x0,25
Head A: Angle cable outlet	0°	Length tolerance	± 30 cm
Head A: Gender	Female	Cable length	2000 cm
Head A: Coding	A	Acceleration (C-track)	max. 5 m/s ²
Head A: No. of poles	8	AWG	24
Head A: LED	No	Bending radius (fixed)	min. 5 × outer diameter
Head A: Width across flats	AF13	Torsion speed	max. 35 cycles/min
Head A: Tightening torque	0.6 Nm	Bending radius (mobile)	min. 10 × outer diameter
Head A: Knurled nut material	Zinc-pressure die casting, surface Ni	Cable type	3
Head A: Body color	Black	Cable weight	approx. 66 g/m
Head A: Gasket material	FKM	Wire 1: Color	WH
Labeling sleeve side A	Yes	Wire 2: Color	BN
Side B		Wire 3: Color	GN
Head B: Connection	Open-ended wires	Wire 4: Color	YE
Labeling sleeve side B	Yes	Wire 5: Color	GY
Cables		Wire 6: Color	PK
Cable length	2000 cm	Wire 7: Color	BU
Length tolerance	± 30 cm	Wire 8: Color	RD
Stripping length	60 mm	Conductor structure	32 × 0.1 mm
Shielded	Yes	Cable diameter	7 mm ± 5%
Conductor structure	32 × 0.1 mm	Conductor: Material	Copper, bare
AWG	24	External sheath: Material	PUR
External sheath: Material	PUR	Insulation: Material	PP
External sheath: Color	Black	Shielding: Material	Copper, tinned
Cable diameter	7 mm ± 5%	No. of bending cycles (C-track)	approx. 5000000 Cycles
Wire cross section	0.25 mm ²	Nominal voltage	300 V
Cable		No. of torsion cycles	approx. 2000000 Cycles
Cable: Temperature range (mobile)	- 25 ...+ 80 °C	Paired stranding	No
Cable: Temperature range (fixed)	- 40 ...+ 80 °C	Single wire diameter	0.1 mm
Operating voltage (only UL listed)	30 V AC/DC	Cable: Test voltage	2 kV AC core-core ; 2 kV AC core-shield
Shielded	Yes	Torsion stress in °	± 30 °/m
Shielding: Covering	approx. 80 %	Total stranding	8 wires strand around core-filler
Bending radius (fixed)	35 mm	Travel speed (C-track)	max. 3.3 m/s
Number of wires	8	Traversing path (horizontal)	max. 5 m
		Wire cross section	0.25 mm ²
		Wire processing	No
		Wire diameter incl. isolation	1.2 mm ± 5%

Technical data

Cable

External sheath: Color Black

Electrical data

Operating voltage max. 30 V AC/DC

Operating voltage (only UL listed) 30 V AC/DC

Nominal voltage 300 V

Contact resistance max. 30 mOhm

Operating current per contact max. 2 A

Mechanical data

Head A: Degree of protection IP65, IP66K, IP67

Bending radius (mobile) min. 10 × outer diameter

Bending radius (fixed) min. 5 × outer diameter

No. of bending cycles (C-track) approx. 5000000 Cycles

Torsion speed max. 35 cycles/min

Torsion stress in ° ± 30 °/m

No. of torsion cycles approx. 2000000 Cycles

Acceleration (C-track) max. 5 m/s²

Travel speed (C-track) max. 3.3 m/s

Environmental conditions

Temperature range (mobile) - 25 ...+ 80 °C

Temperature range (fixed) - 25 ...+ 80 °C

Cable: Temperature range (fixed) - 40 ...+ 80 °C

Dragchain capable Yes

Head A: Chemical resistance No

Head A: Flame resistance HB (UL 94)

Head A: Oil resistance ASTM 1 oil, mineral oils, limited to hydraulic oils

Head A: Acid and alkali resistant No

Head A: Pollution degree 3

Cable: Chemical resistance Good (DIN EN 60811-404)

Cable: Flame resistance Conform UL 1581 §1090 (H), CSA FT2, IEC 60332-2-2

Cable: Oil resistance Good (DIN EN 60811-404)

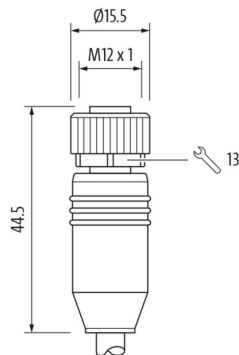
Cable: Silicone-free Yes

Commercial data

Eclass 27060311

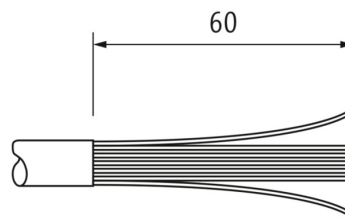
Side A

Technical drawing

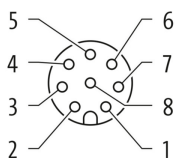


Side B

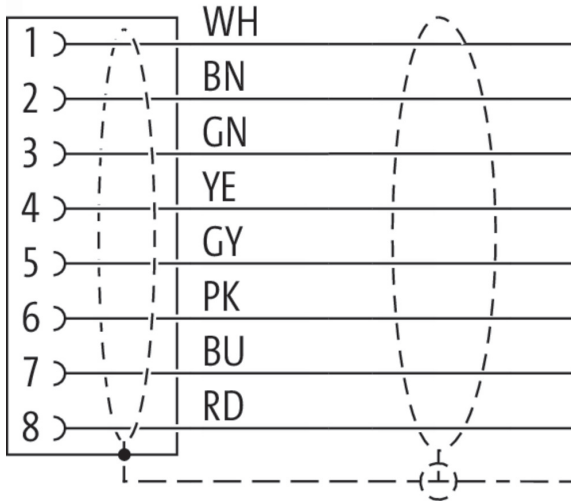
Technical drawing



Coding



Connection diagram



Dimension drawing

