

Overview

- M12, female, A-coded; 8-poles; TPE-S, 100 cm, shielded, free cable end
- Dragchain capable
- Head A: IP65, IP68, IP69K
- Halogen free



Technical data

Side A		Cable	
Head A: Connection	M12	Length tolerance	+ 5 cm
Head A: Angle cable outlet	0°	Cable length	100 cm
Head A: Gender	Female	Acceleration (C-track)	max. 2 m/s ²
Head A: Coding	A	Bending radius (fixed)	min. 7.5 × outer diameter
Head A: No. of poles	8	Bending radius (mobile)	min. 10 × outer diameter
Head A: LED	No	Cable weight	approx. 66 g/m
Head A: Width across flats	AF14	Wire 1: Color	WH
Head A: Tightening torque	0.6 Nm	Wire 2: Color	BN
Head A: Knurled nut material	Stainless steel (V4A)	Wire 3: Color	GN
Head A: Body color	Blue	Wire 4: Color	YE
Head A: Gasket material	EPDM	Wire 5: Color	GY
Labeling sleeve side A	No	Wire 6: Color	PK
Side B		Wire 7: Color	BU
Head B: Connection	Open-ended wires	Wire 8: Color	RD
Labeling sleeve side B	No	Conductor structure	32 × 0.1 mm
Cables		Cable diameter	6.7 mm ± 5%
Cable length	100 cm	Conductor: Material	Copper, bare
Length tolerance	+ 5 cm	External sheath: Material	TPE-S
Stripping length	60 mm	Insulation: Material	PP
Shielded	Yes	Shielding: Material	Copper, tinned
Conductor structure	32 × 0.1 mm	No. of bending cycles (C-track)	approx. 2000000 Cycles
External sheath: Material	TPE-S	Nominal voltage	300 V AC
External sheath: Color	Blue	Paired stranding	No
Cable diameter	6.7 mm ± 5%	Single wire diameter	0.1 mm
Wire cross section	0.25 mm ²	Cable: Test voltage	3 kV
Cable		Total stranding	8 wires strand around core-filler
External sheath: Shore hardness	47 ± 5 D	Travel speed (C-track)	max. 3.3 m/s
Cable: Temperature range (mobile)	- 20 ...+ 105 °C	Traversing path (horizontal)	max. 5 m
Cable: Temperature range (fixed)	- 40 ...+ 105 °C	Wire cross section	0.25 mm ²
Shielded	Yes	Wire processing	No
Shielding: Covering	approx. 85 %	Wire diameter incl. isolation	1.25 mm ± 5%
Shielding attenuation	0	External sheath: Color	Blue
Bending radius (fixed)	50.25 mm	Electrical data	
Number of wires	8	Operating voltage	max. 30 V AC/DC
Number and diameter of wires	8x0,25	Nominal voltage	300 V AC
		Contact resistance	max. 30 mOhm
		Operating current per contact	max. 2 A

Technical data

Mechanical data

Head A: Degree of protection	IP65, IP68, IP69K
Bending radius (mobile)	min. 10 × outer diameter
Bending radius (fixed)	min. 7.5 × outer diameter
No. of bending cycles (C-track)	approx. 2000000 Cycles
Acceleration (C-track)	max. 2 m/s ²
Travel speed (C-track)	max. 3.3 m/s

Environmental conditions

Temperature range (mobile)	- 20 ...+ 105 °C
Temperature range (fixed)	- 40 ...+ 105 °C
Cable: Temperature range (fixed)	- 40 ...+ 105 °C

Environmental conditions

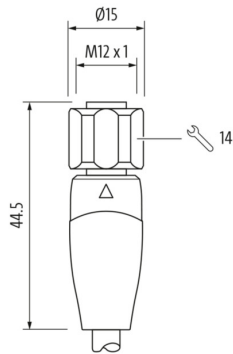
Dragchain capable	Yes
Head A: Chemical resistance	Chemical resistance tested according to ECOLAB. If other media are used, the material resistance must be tested according to the application.
Head A: Flame resistance	HB (UL 94)
Head A: Oil resistance	ASTM 1 oil, mineral oils, limited to hydraulic oils
Head A: Acid and alkali resistant	ECOLAB tested
Cable: Acid and alkali resistant	Good (FDA 21 178.3620, 178.3297, 177.1520, EU 10/2011)
Cable: Silicone-free	Yes

Commercial data

Eclass	27060311
--------	----------

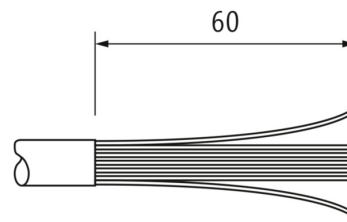
Side A

Technical drawing

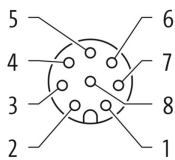


Side B

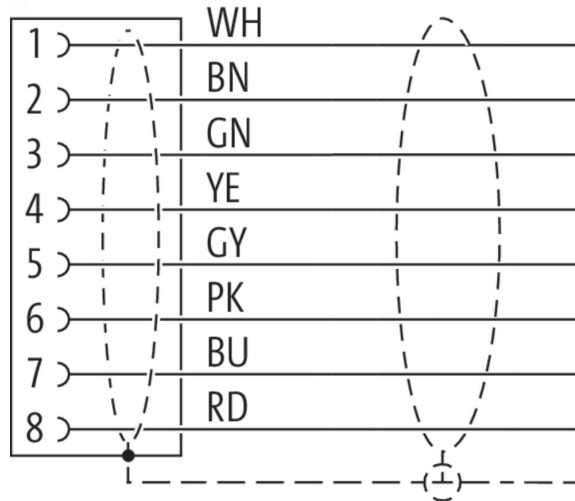
Technical drawing



Coding



Connection diagram



Dimension drawing

