

Overview

- M12, female, A-coded; 8-poles; TPE-S, 100 cm, free cable end
- Dragchain capable; suitable for robotics $\pm 180^\circ/\text{m}$; suitable for food & beverage
- Head A: IP65, IP68, IP69K
- Halogen free



Technical data

Side A

| | |
|------------------------------|-----------------------|
| Head A: Connection | M12 |
| Head A: Angle cable outlet | 90° |
| Head A: Gender | Female |
| Head A: Coding | A |
| Head A: No. of poles | 8 |
| Head A: LED | No |
| Head A: Width across flats | AF14 |
| Head A: Tightening torque | 0.6 Nm |
| Head A: Knurled nut material | Stainless steel (V4A) |
| Head A: Body color | Blue |
| Head A: Gasket material | EPDM |
| Labeling sleeve side A | No |

Side B

| | |
|------------------------|------------------|
| Head B: Connection | Open-ended wires |
| Labeling sleeve side B | No |

Cables

| | |
|---------------------------|----------------------|
| Cable length | 100 cm |
| Length tolerance | + 5 cm |
| Stripping length | 60 mm |
| Shielded | No |
| Conductor structure | 32 × 0.1 mm |
| AWG | 24 |
| External sheath: Material | TPE-S |
| External sheath: Color | Blue |
| Cable diameter | 6.3 mm ± 5% |
| Wire cross section | 0.25 mm ² |

Cable

| | |
|-----------------------------------|------------------|
| External sheath: Shore hardness | 47 ± 5 D |
| Cable: Temperature range (mobile) | - 25 ...+ 105 °C |
| Cable: Temperature range (fixed) | - 40 ...+ 105 °C |
| Shielded | No |
| Bending radius (fixed) | 31.5 mm |
| Number of wires | 8 |
| Number and diameter of wires | 8x0,25 |
| Length tolerance | + 5 cm |

Cable

| | |
|---------------------------------|-----------------------------------|
| Cable length | 100 cm |
| Acceleration (C-track) | max. 10 m/s ² |
| AWG | 24 |
| Bending radius (fixed) | min. 5 × outer diameter |
| Torsion speed | max. 35 cycles/min |
| Bending radius (mobile) | min. 10 × outer diameter |
| Cable weight | approx. 46.2 g/m |
| Wire 1: Color | WH |
| Wire 2: Color | BN |
| Wire 3: Color | GN |
| Wire 4: Color | YE |
| Wire 5: Color | GY |
| Wire 6: Color | PK |
| Wire 7: Color | BU |
| Wire 8: Color | RD |
| Conductor structure | 32 × 0.1 mm |
| Cable diameter | 6.3 mm ± 5% |
| Conductor: Material | Copper, bare |
| External sheath: Material | TPE-S |
| Insulation: Material | PP |
| No. of bending cycles (C-track) | approx. 4000000 Cycles |
| Nominal voltage | 300 V AC |
| No. of torsion cycles | approx. 2000000 Cycles |
| Paired stranding | No |
| Single wire diameter | 0.1 mm |
| Cable: Test voltage | 3 kV |
| Torsion stress in ° | ± 180 °/m |
| Total stranding | 8 wires strand around core-filler |
| Travel speed (C-track) | max. 3 m/s |
| Traversing path (horizontal) | max. 10 m |
| Wire cross section | 0.25 mm ² |
| Wire processing | No |
| Wire diameter incl. isolation | 1.17 mm ± 5% |
| External sheath: Color | Blue |

Electrical data

| | |
|--------------------|-------------------|
| Operating voltage | max. 30 V AC/DC 0 |
| Nominal voltage | 300 V AC |
| Contact resistance | max. 30 mOhm |

Technical data

Electrical data

Operating current per contact max. 2 A

Mechanical data

Head A: Degree of protection IP65, IP68, IP69K
 Bending radius (mobile) min. 10 × outer diameter
 Bending radius (fixed) min. 5 × outer diameter
 No. of bending cycles (C-track) approx. 4000000 Cycles
 Torsion speed max. 35 cycles/min
 Torsion stress in ° ± 180 °/m
 No. of torsion cycles approx. 2000000 Cycles
 Acceleration (C-track) max. 10 m/s²
 Travel speed (C-track) max. 3 m/s

Environmental conditions

Temperature range (mobile) - 25 ...+ 105 °C
 Temperature range (fixed) - 40 ...+ 105 °C
 Cable: Temperature range (fixed) - 40 ...+ 105 °C

Environmental conditions

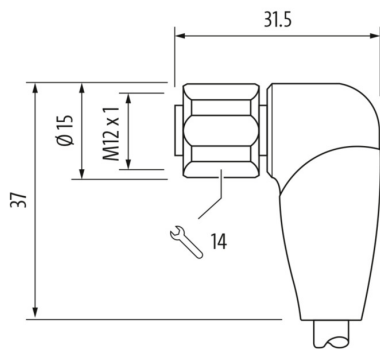
Dragchain capable Yes
 Head A: Chemical resistance Chemical resistance tested according to ECOLAB. If other media are used, the material resistance must be tested according to the application.
 Head A: Flame resistance HB (UL 94)
 Head A: Oil resistance ASTM 1 oil, mineral oils, limited to hydraulic oils
 Head A: Acid and alkali resistant Chemical resistance tested according to ECOLAB. If other media are used, the material resistance must be tested according to the application.
 Head A: Pollution degree 3
 Cable: Acid and alkali resistant Good (analogue FDA 21 178.3620, 178.3297, 177.1520, EU 10/2011)
 Cable: Silicone-free Yes

Commercial data

Eclass 27060311

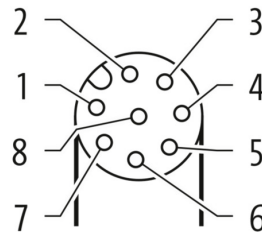
Side A

Technical drawing



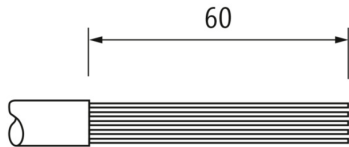
Side A

Coding



Side B

Technical drawing



Connection diagram

| | |
|---|----|
| 1 | WH |
| 2 | BN |
| 3 | GN |
| 4 | YE |
| 5 | GY |
| 6 | PK |
| 7 | BU |
| 8 | RD |

Dimension drawing

