

Overview

- M12, female, A-coded; 5-poles; TPE-S, 1500 cm, shielded, free cable end
- Dragchain capable; suitable for robotics $\pm 180^\circ/\text{m}$; suitable for food & beverage
- Head A: IP65, IP68, IP69K
- ECOLAB tested
- Halogen free



Technical data

Side A

| | |
|------------------------------|-----------------------|
| Head A: Connection | M12 |
| Head A: Angle cable outlet | 0° |
| Head A: Gender | Female |
| Head A: Coding | A |
| Head A: No. of poles | 5 |
| Head A: LED | No |
| Head A: Width across flats | AF14 |
| Head A: Tightening torque | 0.6 Nm |
| Head A: Knurled nut material | Stainless steel (V4A) |
| Head A: Body color | Blue |
| Head A: Gasket material | EPDM |
| Labeling sleeve side A | No |

Side B

| | |
|------------------------|------------------|
| Head B: Connection | Open-ended wires |
| Labeling sleeve side B | No |

Cables

| | |
|---------------------------|----------------------|
| Cable length | 1500 cm |
| Length tolerance | ± 22.5 cm |
| Stripping length | 20 mm |
| Shielded | Yes |
| Conductor structure | 42 \times 0.1 mm |
| AWG | 22 |
| External sheath: Material | TPE-S |
| External sheath: Color | Blue |
| Cable diameter | 5.9 mm \pm 5% |
| Wire cross section | 0.34 mm ² |

Electrical data

| | |
|------------------------------------|-----------------|
| Operating voltage | max. 60 V AC/DC |
| Operating voltage (only UL listed) | 30 V AC/DC |
| Nominal voltage | 300 V AC |
| Contact resistance | max. 30 mOhm |
| Operating current per contact | max. 4 A |

Mechanical data

| | |
|---------------------------------|---------------------------------|
| Head A: Degree of protection | IP65, IP68, IP69K |
| Bending radius (mobile) | min. 10 \times outer diameter |
| Bending radius (fixed) | min. 5 \times outer diameter |
| No. of bending cycles (C-track) | approx. 4000000 Cycles |
| Torsion speed | max. 35 cycles/min |
| Torsion stress in ° | $\pm 180^\circ/\text{m}$ |
| No. of torsion cycles | approx. 2000000 Cycles |
| Acceleration (C-track) | max. 10 m/s ² |
| Travel speed (C-track) | max. 3 m/s |

Environmental conditions

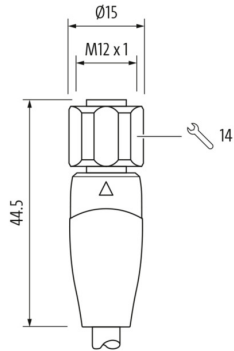
| | |
|-----------------------------------|---|
| Temperature range (mobile) | - 25 ...+ 105 °C |
| Temperature range (fixed) | - 40 ...+ 105 °C |
| Cable: Temperature range (fixed) | - 40 ...+ 105 °C |
| Dragchain capable | Yes |
| Head A: Chemical resistance | Chemical resistance tested according to ECOLAB. If other media are used, the material resistance must be tested according to the application. |
| Head A: Flame resistance | HB (UL 94) |
| Head A: Oil resistance | ASTM 1 oil, mineral oils, limited to hydraulic oils |
| Head A: Acid and alkali resistant | ECOLAB tested |
| Head A: Pollution degree | 3 |
| Cable: Chemical resistance | ECOLAB material resistance test passed |
| Cable: Acid and alkali resistant | Good (FDA 21 178.3620, 178.3297, 177.1520, EU 10/2011) |
| Cable: Silicone-free | Yes |

Commercial data

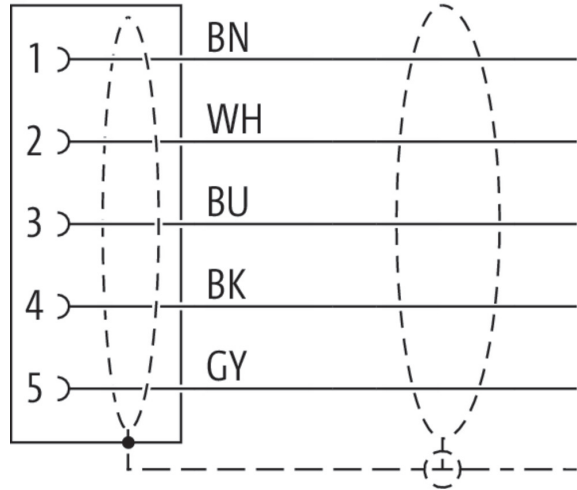
| | |
|--------|----------|
| Eclass | 27060311 |
|--------|----------|

Side A

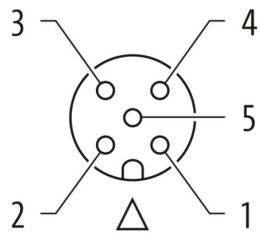
Technical drawing



Connection diagram



Coding



Dimension drawing



Side B

Technical drawing

