

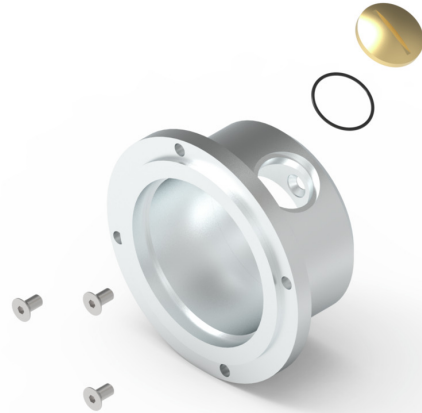
Attachment bell KIT

For encoders with synchro flange

Article number: 11068155

Overview

- Attachment kit for encoder with synchro flange
- Centering seat $\varnothing 70$ mm, mounting hole circle $\varnothing 77$ mm
- Can be used in combination with coupling CPS37 (not included)



Technical data

Technical data

Operating temperature	-40...+100 °C
Weight approx.	160 g

Technical data

Material	Flange: aluminium
Instruction	Necessary accessories: Coupling CPS37

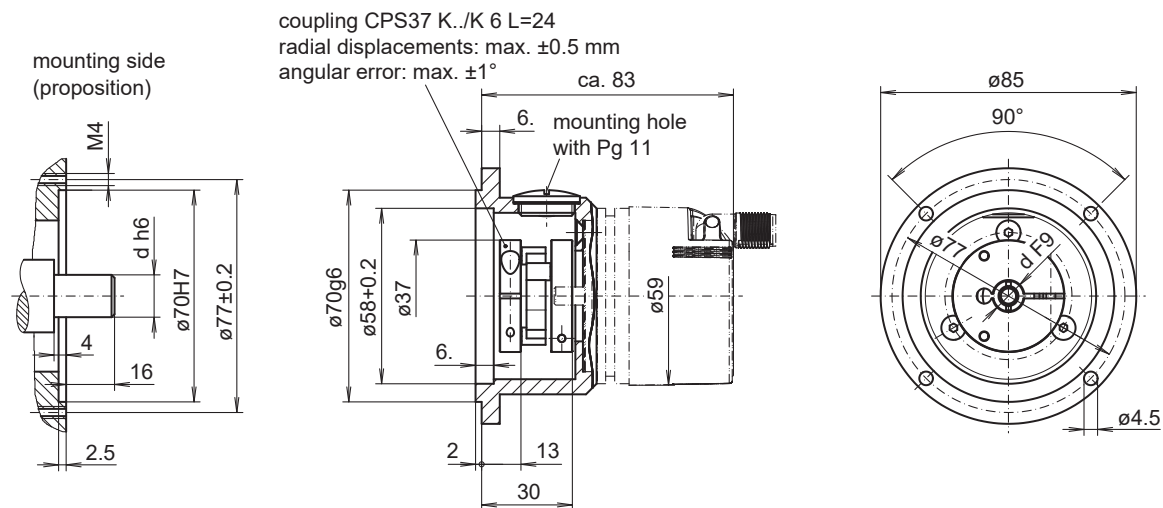
Description

Mounting kit for encoders with servo flange.

Scope of delivery

1x attachment bell, 3x screws DIN 965 - M4x8, sealing plug, O-ring

Dimensions



Attachment bell KIT

For encoders with synchro flange

Article number: 11068155

Dimensions

